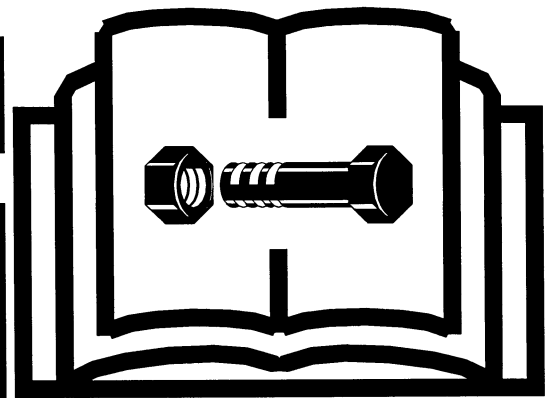


# Vermeer®

**REBEL™**  
**5400/5500 Baler**



## Parts Manual

REBEL\_5400/5500\_P1.00  
SERIAL NO. 5400: 101-  
SERIAL NO. 5500: 101-  
ORDER NO. 105400-R51

## INTRODUCTION

### HOW TO USE THE MANUAL

This manual contains illustrations and parts lists of components and assemblies which make up the machine. Each page consists of the name of the assembly or component, a figure number, reference numbers, part numbers, part names, and the quantities of the parts used.

**Assembly or component name** helps identify the illustration and parts list for each figure. This name also helps locate the general area of the machine where the assembly or component can be located.

**Figure numbers** are used to identify each assembly or component and to group these assemblies or components into major categories.

**Reference numbers** shown in a column refers to the numbered parts in the illustration. This ties the part in the illustration to the part number and description in the parts list.

EN-OM-0222-AP92

Part numbers are used to identify individual parts or part assemblies.

**Part descriptions** provide the name of the part, plus additional information such as dimensional specifications and what parts are grouped together to form part assemblies, which helps you identify the part(s).

**Quantities** listed for each figure are only for that assembly or component and not the total used per machine.

**Parts** are listed by part number in numerical order in the back portion of the manual. After each part number is a list of references where the part is used in the manual.

This parts manual is not intended to be a complete guide for machine service or repairs. Contact your Vermeer dealer for any of your service or technical requirements.

### ORDERING PARTS

Parts for repair or replacement are available through our network of authorized dealers located throughout the world.

Use only authorized Vermeer parts for repair or replacement. Always give the serial number

EN-OM-0223-AP92

and model number of the machine for which parts are being ordered. When ordering parts for component(s), which are not manufactured by Vermeer Manufacturing, also give the serial number of that component(s). Order all parts by part number, part name, and quantity needed.

### UPDATING AND REORDERING MANUALS

The parts lists, illustrations, and specifications in this manual are based on the latest information available at time of publication. Your machine may have product improvements and options not yet contained in this manual.

Vermeer Manufacturing Company reserves the right to make changes at any time without notice or obligation to you.

EN-OM-0224-AP92

Your dealer will receive notice of these changes and can assist you with accurate parts identification when ordering.

A copy of this manual is supplied with each machine. Additional copies are available through your dealer. When ordering additional manuals, use the reorder number listed on the front cover and the quantity needed.

**PARTS LIST TABLE OF CONTENTS**

**BASIC BALER FEATURES - SECTION 1**

BELT TENSIONING CYLINDER COMPONENTS (FIG. 1-21) . . . . . PAGE 1-38  
 BELT TIGHTENER/IDLER ROLLER ASSEMBLY (FIG. 1-7) . . . . . PAGE 1-13, 1-14  
 CHAINS/CHAIN TIGHTENERS ASSEMBLY (FIG. 1-10) . . . . . PAGE 1-19, 1-20  
 CYLINDER COMPONENTS (FIG. 1-23) . . . . . PAGE 1-41  
 DECAL ASSEMBLY (FIG. 1-1) . . . . . PAGE 1-1, 1-2  
 DECAL LOCATIONS-BASIC BALER (FIG. 1-2) . . . . . PAGE 1-3, 1-4  
 DRIVE SPROCKET/PTO DRIVELINE ASSEMBLY (FIG. 1-9) . . . . . PAGE 1-17, 1-18  
 DRIVELINE COMPONENTS (FIG. 1-24) . . . . . PAGE 1-43, 1-44  
 DRUM ROLLER COMPONENTS (FIG. 1-20) . . . . . PAGE 1-37  
 ELECTRICAL COMPONENTS (FIG. 1-22) . . . . . PAGE 1-39, 1-40  
 FRONT FRAME ASSEMBLY (FIG. 1-3) . . . . . PAGE 1-5, 1-6  
 GEARBOX COMPONENTS (FIG. 1-26) . . . . . PAGE 1-47, 1-48  
 GEARBOX COMPONENTS (FIG. 1-27) . . . . . PAGE 1-49, 1-50  
 HUB AND SPINDLE COMPONENTS (FIG. 1-16) . . . . . PAGE 1-33  
 LONG IDLER ROLLER COMPONENTS (FIG. 1-19) . . . . . PAGE 1-36  
 PICKUP ASSEMBLY (FIG. 1-5) . . . . . PAGE 1-9, 1-10  
 PICKUP LIFT ASSEMBLY (FIG. 1-6) . . . . . PAGE 1-11, 1-12  
 RADIAL PIN CLUTCH COMPONENTS (FIG. 1-25) . . . . . PAGE 1-45, 1-46  
 SHIELDS ASSEMBLY (FIG. 1-13) . . . . . PAGE 1-27, 1-28  
 SHORT IDLER ROLLER COMPONENTS (FIG. 1-18) . . . . . PAGE 1-35  
 STARTING AND DRIVE ROLLER ASSEMBLY (FIG. 1-8) . . . . . PAGE 1-15, 1-16  
 TAILGATE ASSEMBLY (FIG. 1-4) . . . . . PAGE 1-7, 1-8  
 TAILGATE HYDRAULICS ASSEMBLY (FIG. 1-14) . . . . . PAGE 1-29, 1-30  
 TAILLIGHTS/WIRE HARNESS ASSEMBLY (FIG. 1-15) . . . . . PAGE 1-31, 1-32  
 TIRE AND WHEEL ASSEMBLY (FIG. 1-17) . . . . . PAGE 1-34  
 TWINE ROUTING ASSEMBLY (FIG. 1-11) . . . . . PAGE 1-21, 1-22  
 TWINE TIE ASSEMBLY (FIG. 1-12) . . . . . PAGE 1-23 - 1-26  
 VERMEER LUBES ETC. (FIG. 1-28) . . . . . PAGE 1-51, 1-52

**BALE RAMP FEATURE - SECTION 2**

BALE RAMP ASSEMBLY (FIG. 2-1) . . . . . PAGE 2-1, 2-2

**HAYSAVER WHEEL FEATURE - SECTION 3**

HAYSAVER WHEEL ASSEMBLY (FIG. 3-1) . . . . . PAGE 3-1, 3-2

**ACCU-TIE FEATURE - SECTION 4**

ACCU-TIE ASSEMBLY (FIG. 4-1) . . . . . PAGE 4-1, 4-2  
 TWINE SPEED SENSOR ASSEMBLY (FIG. 4-2) . . . . . PAGE 4-3  
 OVERFILL INDICATOR ASSEMBLY (FIG. 4-3) . . . . . PAGE 4-4  
 BALE SIZE SWITCH ASSEMBLY (FIG. 4-4) . . . . . PAGE 4-5  
 END WRAP SWITCH ASSEMBLY (FIG. 4-5) . . . . . PAGE 4-6

**BALE COUNTER FEATURE - SECTION 5**

BALE COUNTER ASSEMBLY (FIG. 5-1) . . . . . PAGE 5-1

**HAY DEFLECTOR FEATURE - SECTION 6**

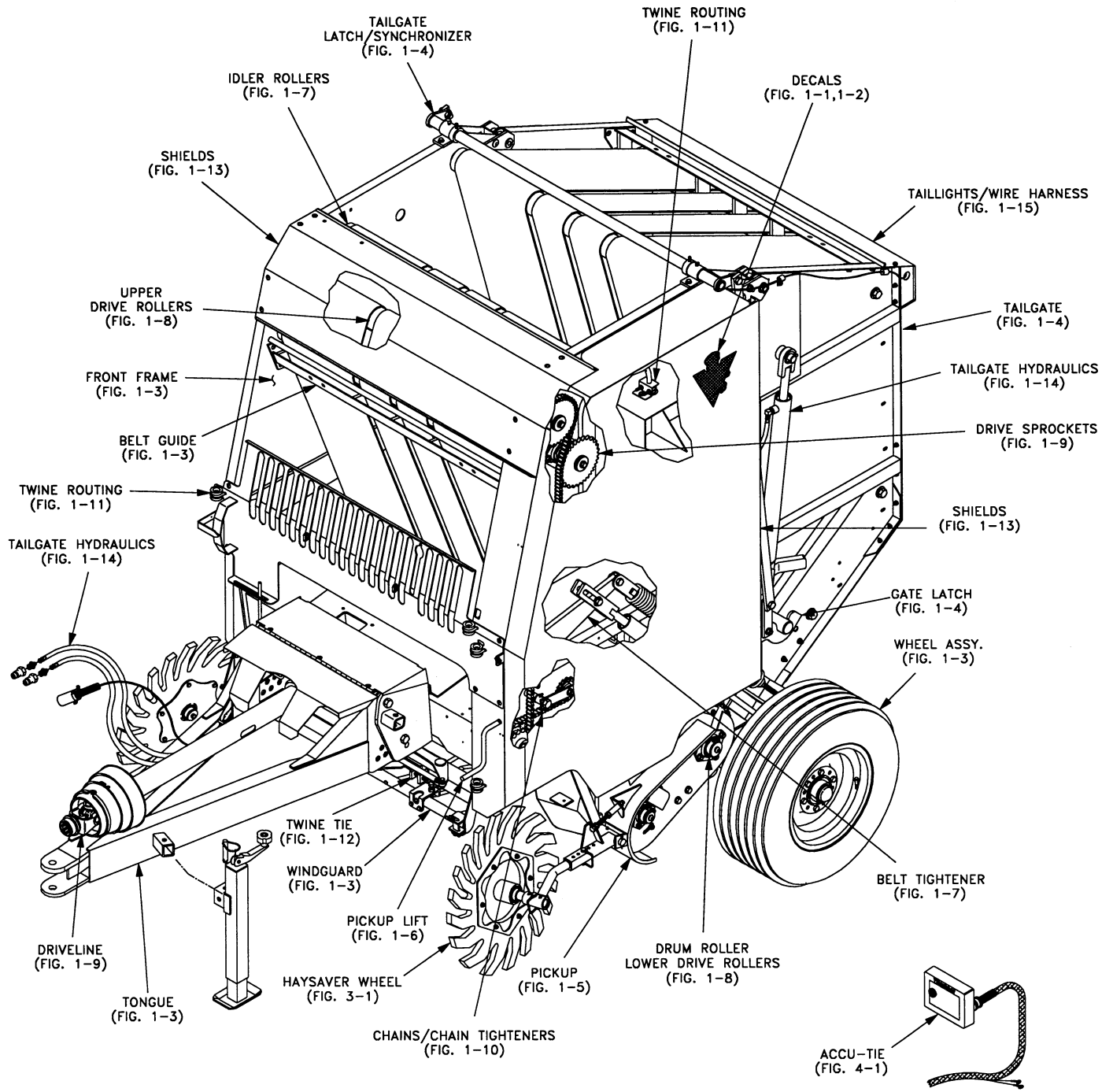
HAY DEFLECTOR ASSEMBLY (FIG. 6-1) . . . . . PAGE 6-1

**MANUAL ELECTRIC TWINE TIE FEATURE - SECTION 7**

MANUAL ELECTRIC TWINE TIE ASSEMBLY (FIG. 7-1) . . . . . PAGE 7-1, 7-2  
 TWINE TIE WIRING HARNESS COMPONENTS (FIG. 7-2) . . . . . PAGE 7-3, 7-4

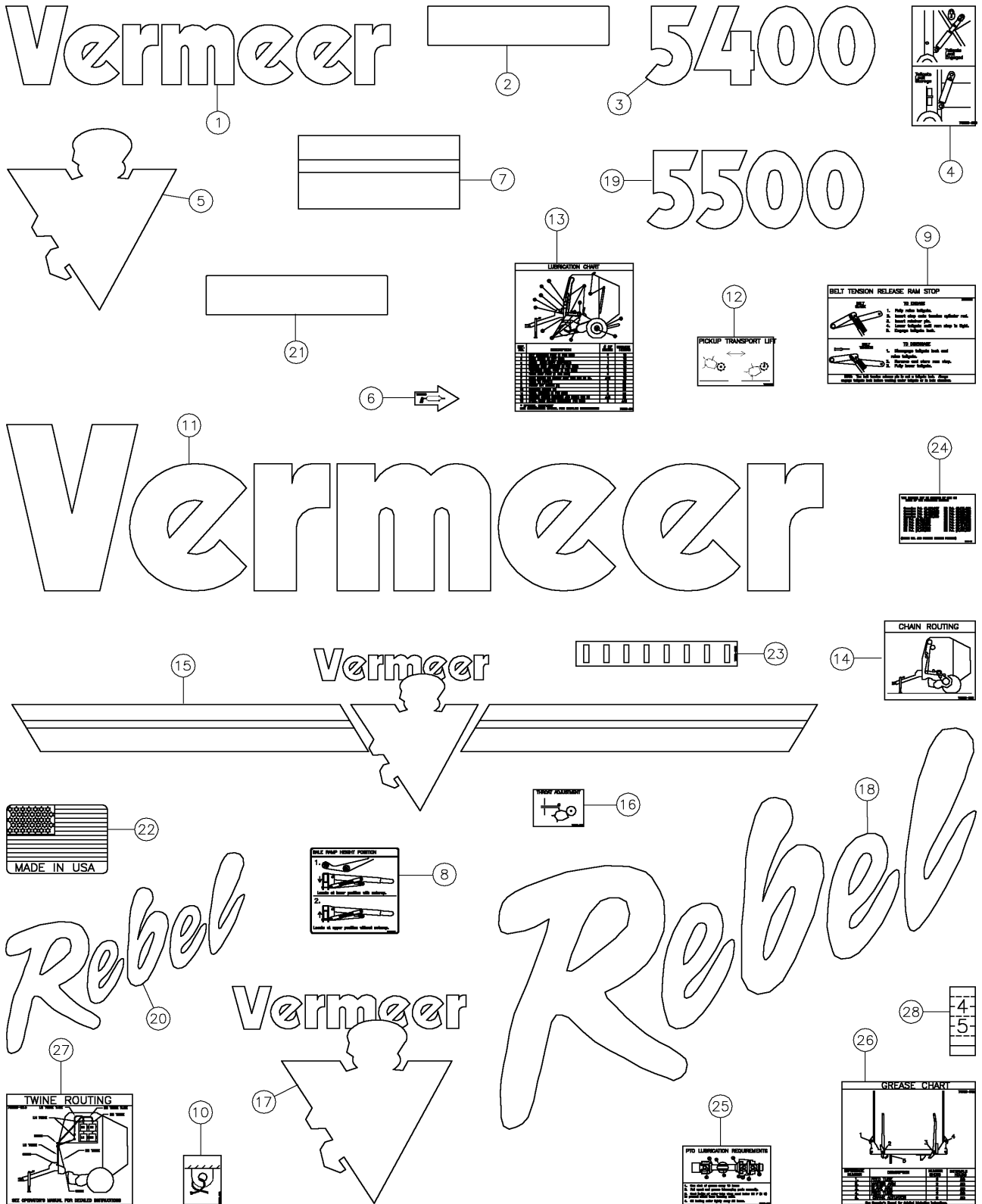
**THIS PAGE INTENTIONALLY LEFT BLANK.**

ILLUSTRATED TABLE OF CONTENTS



DECAL ASSEMBLY

Figure 1-1



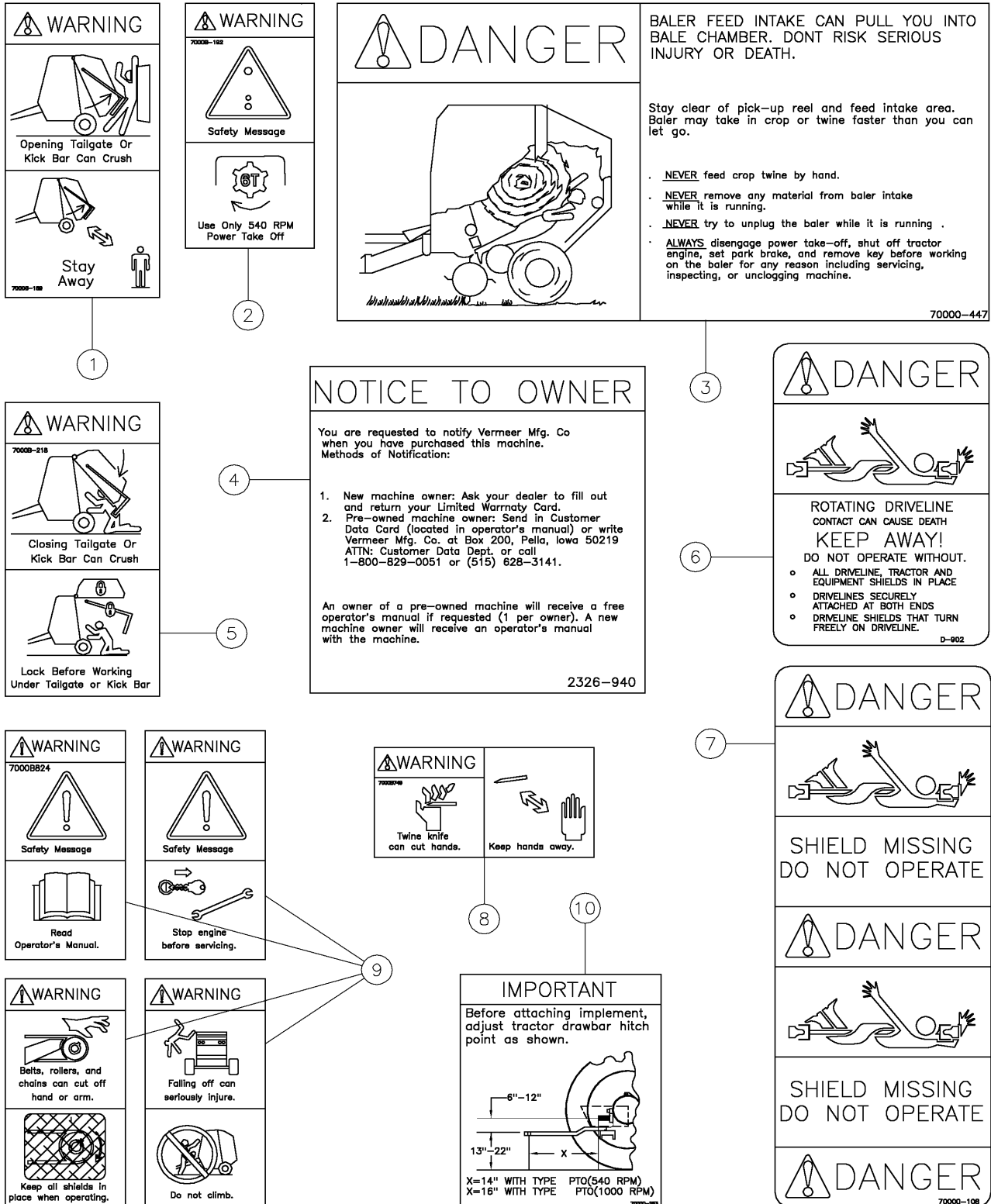
## DECAL ASSEMBLY

Figure 1-1

REF. NO.	PART NO.	DESCRIPTION	QTY.		SERIAL NO.		REMARKS	
			5400	5500	5400	5500		
1-1	1	2326-608	1	1				
1-1	2	7000B-068	2	2				
1-1	3	7000B-217	2	-				
1-1	4	7000B-209	2	2				
1-1	5	70000-805	1	1				
1-1	6	700IB-578	8	8				
1-1	7	70000-776						
		DECAL-4"VERMEER STRIPE (SPECIFY LENGTH)	A/R	A/R				
1-1	8	7000B-655	1	1				
1-1	9	7000B-486	1	1				
1-1	10	7000I-834	3	3				
1-1	11	70000-803	1	1				
1-1	12	700IB-484	1	1				
1-1	13	7000B-214	1	1				
1-1	14	7000B-212	1	1				
1-1	15	70000-802	1	1				
1-1	16	70000-835	2	2				
1-1	17	70000-781	1	1				
1-1	18	7000B-216	1	1				
1-1	19	7000B-234	-	2				
1-1	20	7000B-215	1	1				
1-1	21	7000B-069	-	1				
1-1	22	70000-434	1	1				
1-1	23	700IA-545	2	2				
1-1	24	7000B-120	1	1				
1-1	25	70000-838	1	1				
1-1	26	7000B-312	1	-				
		7000B-311	-	1				
1-1	27	7000B-213	1	1				
1-1	28	7000B-283	1	1				
		84530-190	DECAL ASSEMBLY-5400 REBEL (INC. REF. 1-18, 20, 22-28 & FIG. 1-1A)					
		84530-193	DECAL ASSEMBLY-5500 REBEL (INC. REF. 1, 2, 4-28 & FIG. 1-1A)					

DECAL ASSEMBLY (CONT.)

Figure 1-1A





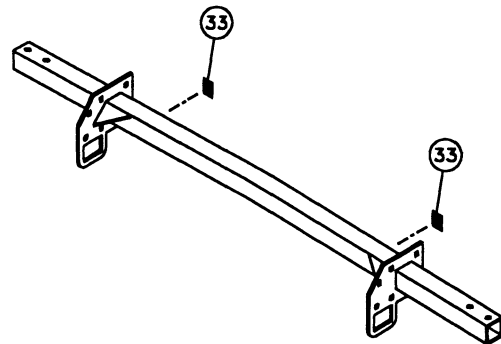
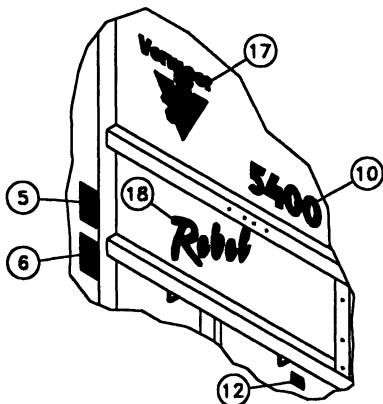
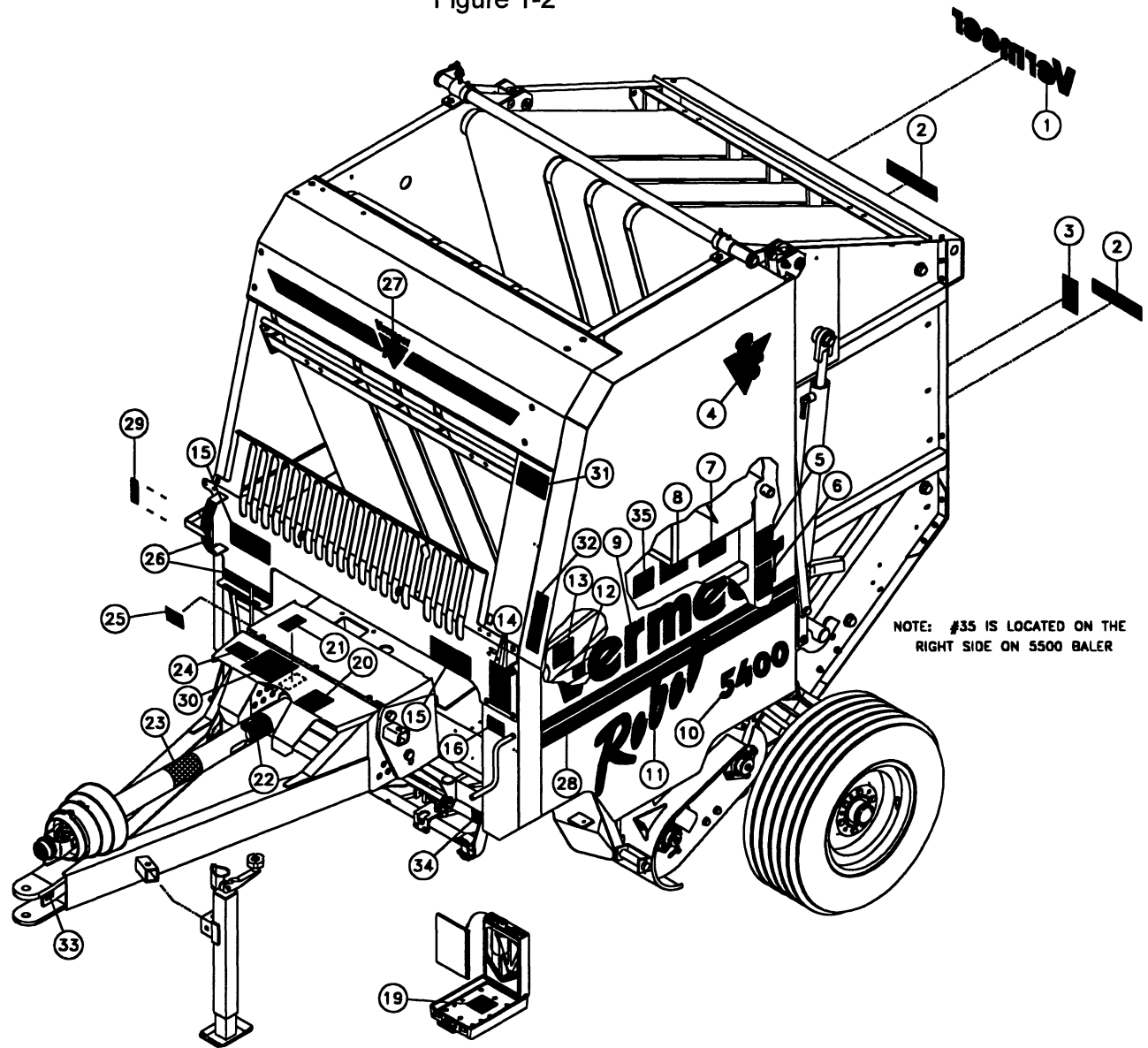
## DECAL ASSEMBLY (CONT.)

Figure 1-1A

REF. NO.	PART NO.	DESCRIPTION	QTY.		SERIAL NO.		REMARKS
			5400	5500	5400	5500	
1-1A	1	7000B-189	DECAL-WARNING TAILGATE/KICK OPEN	1	1		
1-1A	2	7000B-192	DECAL-USE 540 PTO	1	1		
1-1A	3	70000-447	DECAL-DANGER/BALER FEED	2	2		
1-1A	4	2326-940	DECAL-NOTICE TO OWNERS	1	1		
1-1A	5	7000B-218	DECAL-WARNING TAILGATE/KICK CLOSED	2	2		
1-1A	6	2326-902	DECAL-DANGER	1	1		
1-1A	7	70000-108	DECAL-DANGER	1	1		
1-1A	8	7000B-749	DECAL-WARNING	2	2		
1-1A	9	7000B-824	DECAL-WARNING	1	1		
1-1A	10	70000-253	DECAL-DRAWBAR HITCH POINT	1	1		
	84530-190	DECAL ASSEMBLY-5400 REBEL (INC. REF. 1-10 & REF. 1-18, 20 & 22-28, FIG. 1-1)					
	84530-193	DECAL ASSEMBLY-5500 REBEL (INC. REF. 1-10 & REF. 1, 2 & 4-28, FIG. 1-1)					

DECAL LOCATIONS - BASIC BALER

Figure 1-2



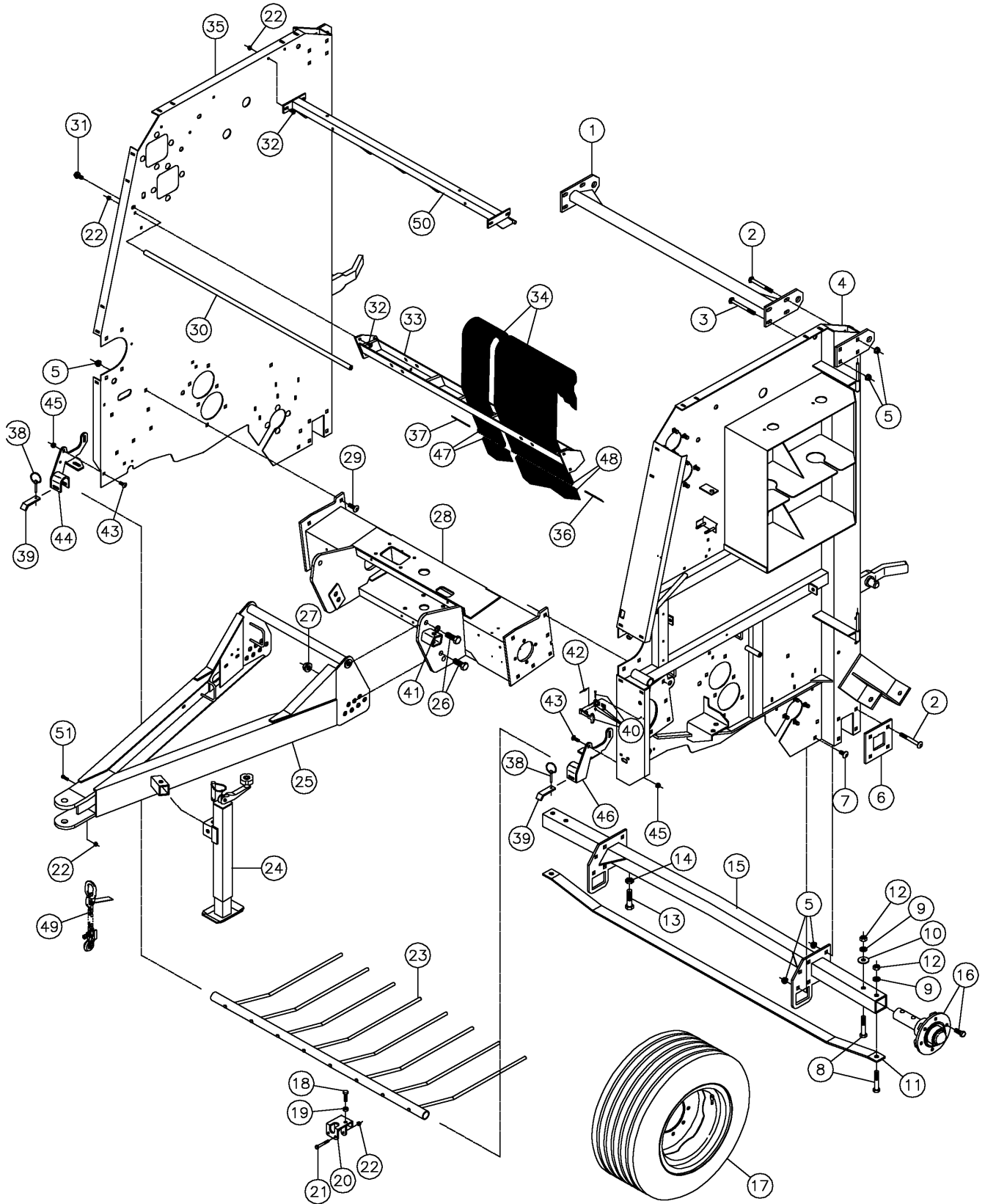
## DECAL LOCATIONS - BASIC BALER

Figure 1-2

REF. NO.	PART NO.	DESCRIPTION	QTY.		SERIAL NO.		REMARKS
			5400	5500	5400	5500	
1-2	1	2326-608					
		DECAL-VERMEER 4"	1	1			
1-2	2	7000B-068					
		DECAL-RED REFLECTOR	2	2			
1-2	3	7000B-189					
		DECAL-WARNING, TAILGATE OPEN	1	1			
1-2	4	70000-805					
		DECAL-LOGO W/O VERMEER	1	1			
1-2	5	7000B-209					
		DECAL-TAILGATE LOCKING	2	2			
1-2	6	7000B-218					
		DECAL-WARNING, TAILGATE CLOSED	2	2			
1-2	7	7000B-214					
		DECAL-LUBE POINTS	1	1			
1-2	8	7000B-213					
		DECAL-TWINE ROUTING	1	1			
1-2	9	70000-803					
		DECAL-VERMEER 8 1/2	1	1			
1-2	10	7000B-217					
		DECAL-5400	2	-			
		7000B-234					
		DECAL-5500 (NOT SHOWN)	-	2			
1-2	11	7000B-216					
		DECAL-REBEL, 8"	1	1			
1-2	12	70000-835					
		DECAL-THROAT ADJUSTMENT	2	2			
1-2	13	7000B-212					
		DECAL-CHAIN ROUTING	1	1			
1-2	14	7000B-824					
		DECAL-WARNING	1	1			
1-2	15	70000-447					
		DECAL-DANGER/BALER FEED	2	2			
1-2	16	7001B-484					
		DECAL-PICKUP TRANSPORT LIFT	1	1			
1-2	17	70000-781					
		DECAL-10"VERMEER LOGO (AG)	1	1			
1-2	18	7000B-215					
		DECAL-REBEL, 4"	1	1			
1-2	19	2326-940					
		DECAL-NOTICE TO OWNERS	1	1			
1-2	20	70000-253					
		DECAL-DRAWBAR HITCH POINT	1	1			
1-2	21	7000B-192					
		DECAL-USE 540 PTO	1	1			
1-2	22	70000-108					
		DECAL-DANGER	1	1			
1-2	23	2326-902					
		DECAL-DANGER	1	1			
1-2	24	70000-838					
		DECAL-PTO LUBRICATION	1	1			
1-2	25	7000B-120					
		DECAL-PATENT	1	1			
1-2	26	7001A-545					
		DECAL-INDICATOR	2	2			
1-2	27	70000-802					
		DECAL-LOGO/STRIPE	1	1			
1-2	28	70000-776					
		DECAL-4"VERMEER STRIPE (SPECIFY LENGTH)			A/R	A/R	
1-2	29	7000B-283					
		DECAL-INDICATOR MARKERS	1	1			
1-2	30	7000B-312					
		DECAL-TWINE TIE LUBE CHART 4'	1	-			
		7000B-311					
		DECAL-TWINE TIE LUBE CHART 5'	-	1			
1-2	31	70000-434					
		DECAL-MADE IN USA	1	1			
1-2	32	7000B-069					
		DECAL-AMBER REFLECTOR	-	1			
1-2	33	70001-834					
		DECAL-TIE DOWN POINT	3	3			
1-2	34	7000B-749					
		DECAL-WARNING	2	2			
1-2	35	7000B-486					
		DECAL-BELT TENSION REL. INST.	1	1			

FRONT FRAME ASSEMBLY

Figure 1-3



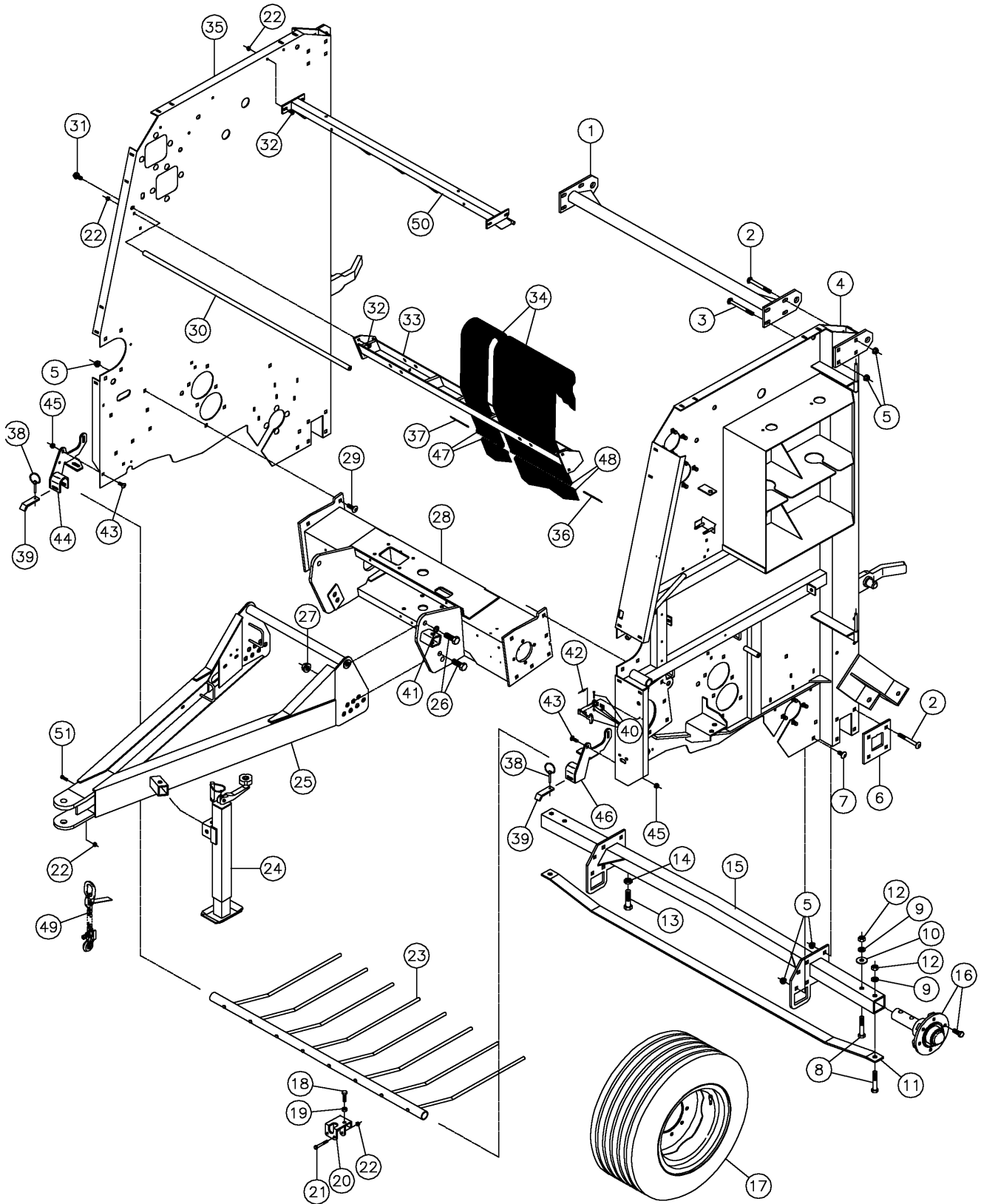
## FRONT FRAME ASSEMBLY

Figure 1-3

REF. NO.	PART NO.	DESCRIPTION	QTY.		SERIAL NO.		REMARKS
			5400	5500	5400	5500	
1-3	1	127423-001 508152-001	BRACE-UPPER CROSS BRACE-UPPER CROSS	1 -	- 1		
1-3	2	377-044	BOLT-1/2-13X4 1/2" GRADE #5 CARR.	14	14		
1-3	3	377-050	BOLT-1/2-13X5" GRADE #5 CARR.	2	2		
1-3	4	507914-001 508164-001	PANEL-SIDE LEFT PANEL-SIDE LEFT	1 1	- 1	101-409 410 & UP	
1-3	5	1809-001	NUT-1/2 SM FLGE TOP LOCK	32	32		
1-3	6	75644-001	PLATE-AXLE	2	2		
1-3	7	377-010	BOLT-1/2"-13X1" GRADE #5 CARR.	4	4		
1-3	8	121818-034	BOLT-5/8-18X3 1/2" GRADE #8 HEX ZINC	4	4		
1-3	9	510360-635	WASHER-MCHBHG-.63-.66X1.13-14GA.-YZ	4	4		
1-3	10	510337-615	WASHER-FLATSTD-.63-.69X1.75-.14-YZ	2	2		
1-3	11	79924-001 86246-001	BAR-UNDER CARRIAGE BAR-UNDER CARRIAGE	1 -	- 1		
1-3	12	396-001	NUT-5/8-18 GR 8 SLTL	4	4		
1-3	13	369-034	BOLT-3/4-10X3 1/2" GRADE#5 HEX	2	2		
1-3	14	433-001	NUT-3/4 NC HEX JAM	2	2		
1-3	15	103349-001 103347-001	AXLE AXLE	1 -	- 1		
1-3	16	507961-001	HUB & SPINDLE ASSEMBLY (BREAK-DOWN FIG. 1-16)	2	2		
1-3	17	109490-001 109521-001	WHL.ASSY-11L15 FLT 15X8 6 BOLT (BREAKDOWN FIG. 1-17) WHL.ASSY-31X13.5-15-10 6 BOLT (BREAKDOWN FIG. 1-17)	2 -	- 2		
1-3	18	358-016	BOLT-1/2-13X1 3/4" GRADE #5 HEX	1	1		
1-3	19	421-001	NUT-1/2 NC HEX	1	1		
1-3	20	114589-001	STOP-WINDGUARD	1	1		
1-3	21	351-024	BOLT-5/16-18X2 1/2" GRADE #5 HEX	2	2		
1-3	22	1809-007	NUT - 5/16-18 SM.FLGE.T.L.	11	11		
1-3	23	109397-001 103671-001	WINDGUARD WELDMENT, 4' WINDGUARD WELDMENT, 5'	1 -	- 1		
1-3	24	507504-001	JACK - SQ TUBE SQ MOUNT 5000LB TO	1	1		
1-3	25	507926-001	TONGUE	1	1		
1-3	26	369-020	BOLT-3/4-10X2" GRADE #5 HEX	4	4		
1-3	27	1809-011	NUT - 3/4-10 SM FLGE. TL.	2	2		
1-3	28	507923-001 508111-001	TONGUE BEAM - 4 FT. TONGUE BEAM - 5 FT.	1 -	- 1		
1-3	29	377-014	BOLT-1/2-13X1 1/2" GRADE #5 CARRIAGE	12	12		
1-3	30	29064-001 28546-001	ROD-STABILIZER ROD-STABILIZER	1 -	- 1		
1-3	31	4471-010	BOLT-1/2-13X1 GRADE #5 SER.WA.FL.SC	2	2		
1-3	32	374-006	BOLT-5/16"-18X3/4 GRADE #5 CARRIAGE	8	8		
1-3	33	107154-001 107157-001	BELT GUIDE-4 FT. BELT GUIDE-5 FT.	1 -	- 1		
1-3	34	507529-001 507531-003 507535-001 507998-001 507531-005 507530-005 507535-005	GOODYEAR MONO BELT SET (INC. FOUR BELTS) BELT - GOODYEAR MONO 14 X 424 NOTCH BELT - GOODYEAR MONO 6.0 X 424 BELT SET-GOODYEAR MONO 450" (INC. FIVE BELTS) BELT-GOODYEAR MONO 14 X 450 NOTCH BELT-GOODYEAR MONO 14 X 450 BELT-GOODYEAR MONO 6.0 X 450	1 2 2 - - - -	- - - 1 2 1 2		
1-3	35	507915-001 508165-001 508157-001	PANEL-RIGHT SIDE PANEL-RIGHT SIDE PANEL-MAIN SIDE RIGHT W/CYL. MNT.	1 1 -	- - 1	101-409 410 & UP	
1-3	36	1830-069	3/32 NYLON COATED CABLE-16.00	2	3		
1-3	37	1830-019	CABLE-3/32 NYLON COATED-8"	2	2		

FRONT FRAME ASSEMBLY (CONT.)

Figure 1-3



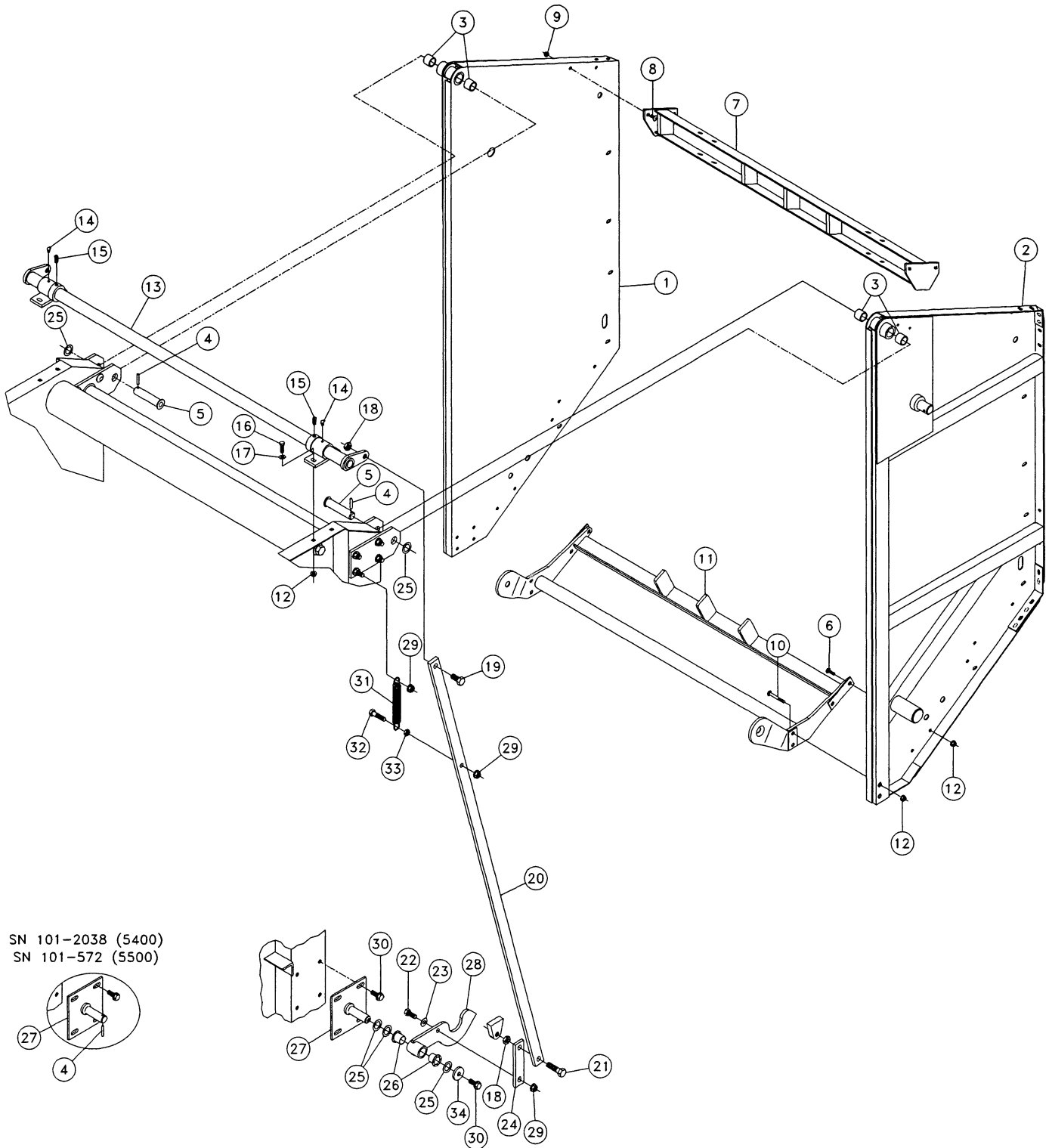
## FRONT FRAME ASSEMBLY (CONT.)

Figure 1-3

REF. NO.	PART NO.	DESCRIPTION	QTY.		SERIAL NO.		REMARKS
			5400	5500	5400	5500	
1-3	38	1797-003	PIN-QUICK ATTACHMENT 1/4"	2	2		
1-3	39	86797-001	RETAINER-WINDGUARD	2	2		
1-3	40	1864-001	LATCH-FLEXIBLE DRAW	2	2		
1-3	41	480-017	WASHER-3/4 S/T LOCK	2	2		
1-3	42	547-005	POP RIVET-SS64D	8	8		
1-3	43	375-010	BOLT-3/8-16X1 GRADE #5 CARR.	4	4		
1-3	44	505992-001	MOUNT-TWINE TIE/WINDGUARD RIGHT	1	1		
1-3	45	1809-003	NUT-3/8-16 SM FLGE TL	4	4		
1-3	46	505991-001	MOUNT-TWINE TIE/WINDGUARD LEFT	1	1		
1-3	47	86226-001	HOOK ASSY-BELT LACING	2	2		
1-3	48	113556-001	BELT LACING-4 1/2-4HT,91 HOOKS	2	2		
1-3	49	1443-017	CHAIN-1/4"P4X59.2 SAFETY (OPT.)	1	1		
1-3	50	129554-001	GUIDE-BELT, TOP	1	-	141-409	
		508176-001	GUIDE-BELT, TOP	1	-	410 & UP	
		508177-001	GUIDE-BELT, TOP	-	1		
1-3	51	510301-010	SCREW-HCS-.31-18X1.00-GR5-YZ	1	1		

### TAILGATE ASSEMBLY

Figure 1-4





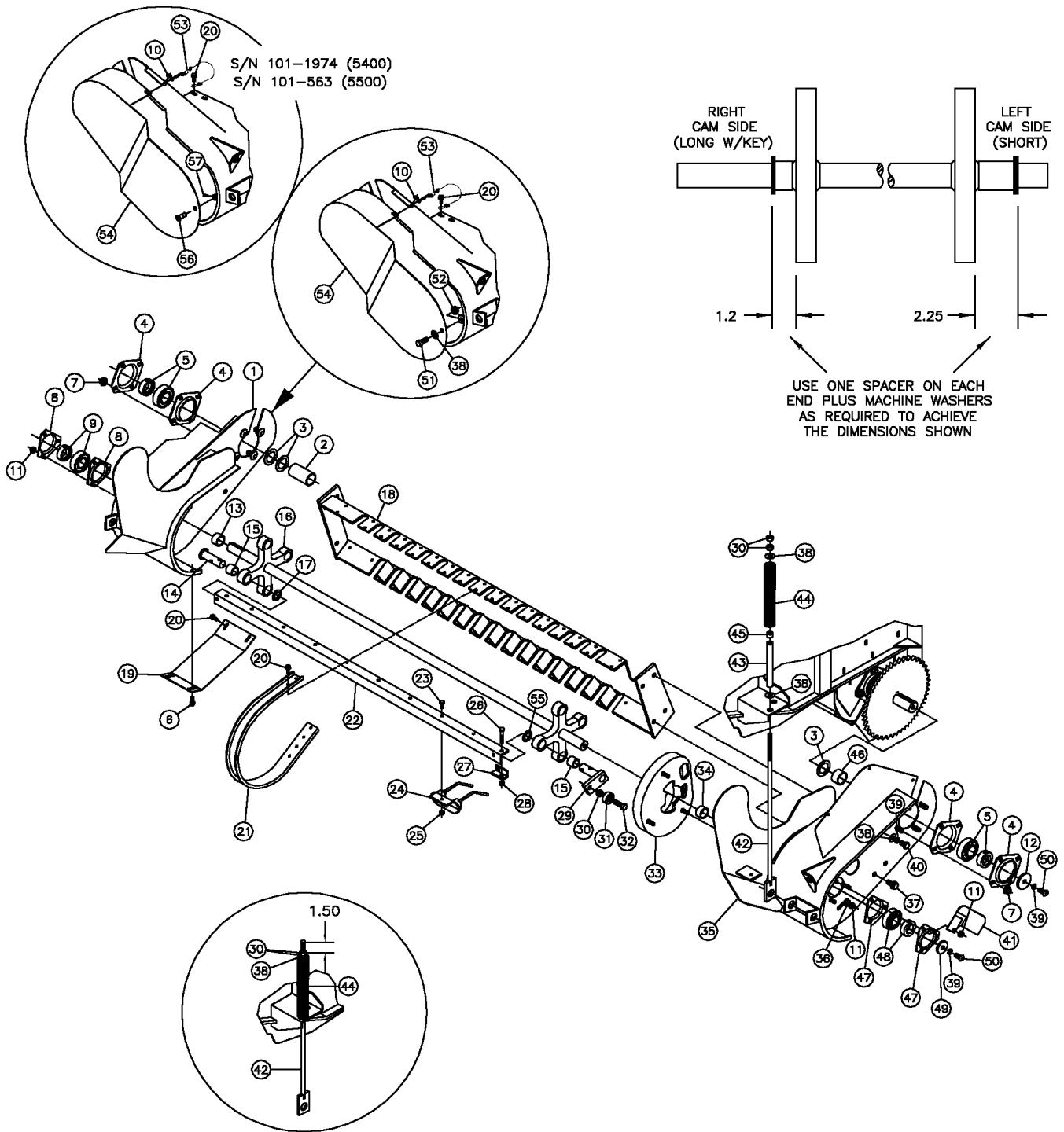
## TAILGATE ASSEMBLY

Figure 1-4

REF. NO.	PART NO.	DESCRIPTION	QTY.		SERIAL NO.		REMARKS
			5400	5500	5400	5500	
1-4	1	126517-001		1	-		
		508145-001		-	1	101-405	
		510255-001		-	1	406 & UP	
1-4	2	126518-001		1	-		
		508144-001		-	1	101-405	
		510258-001		-	1	406 & UP	
1-4	3	68776-001		4	4		
1-4	4	510342-801		2	2		
1-4	5	75578-001		2	2		
1-4	6	375-010		4	4		
1-4	7	107154-001		1	1	101-409	
1-4	8	374-006		4	4	101-409	
1-4	9	1809-007		4	4	101-409	
1-4	10	375-024		4	4		
1-4	11	505995-001		1	-		
		508119-001		-	1		
1-4	12	1809-003		12	12		
1-4	13	81657-003		1	-		
		79563-003		-	1		
1-4	14	597-001		2	2		
1-4	15	505953-001		2	2		
1-4	16	354-012		4	4		
1-4	17	485-007		4	4		
1-4	18	428-001		4	4		
1-4	19	366-014		2	2		
1-4	20	508011-001		2	2		
1-4	21	366-022		2	2		
1-4	22	358-014		2	2		
1-4	23	485-011		2	2		
1-4	24	75802-001		2	2		
1-4	25	483-005		8	8		
1-4	26	209-003		4	4		
1-4	27	75637-001		2	2		
1-4	28	508005-001		1	1		
		508006-001		1	1		
1-4	29	1809-001		6	6		
1-4	30	510343-210		10	10		
1-4	31	1789-097		2	2		
1-4	32	358-022		2	2		
1-4	33	422-001		2	2		
1-4	34	510361-621		2	2	2039&UP 573&UP	

PICKUP ASSEMBLY

Figure 1-5



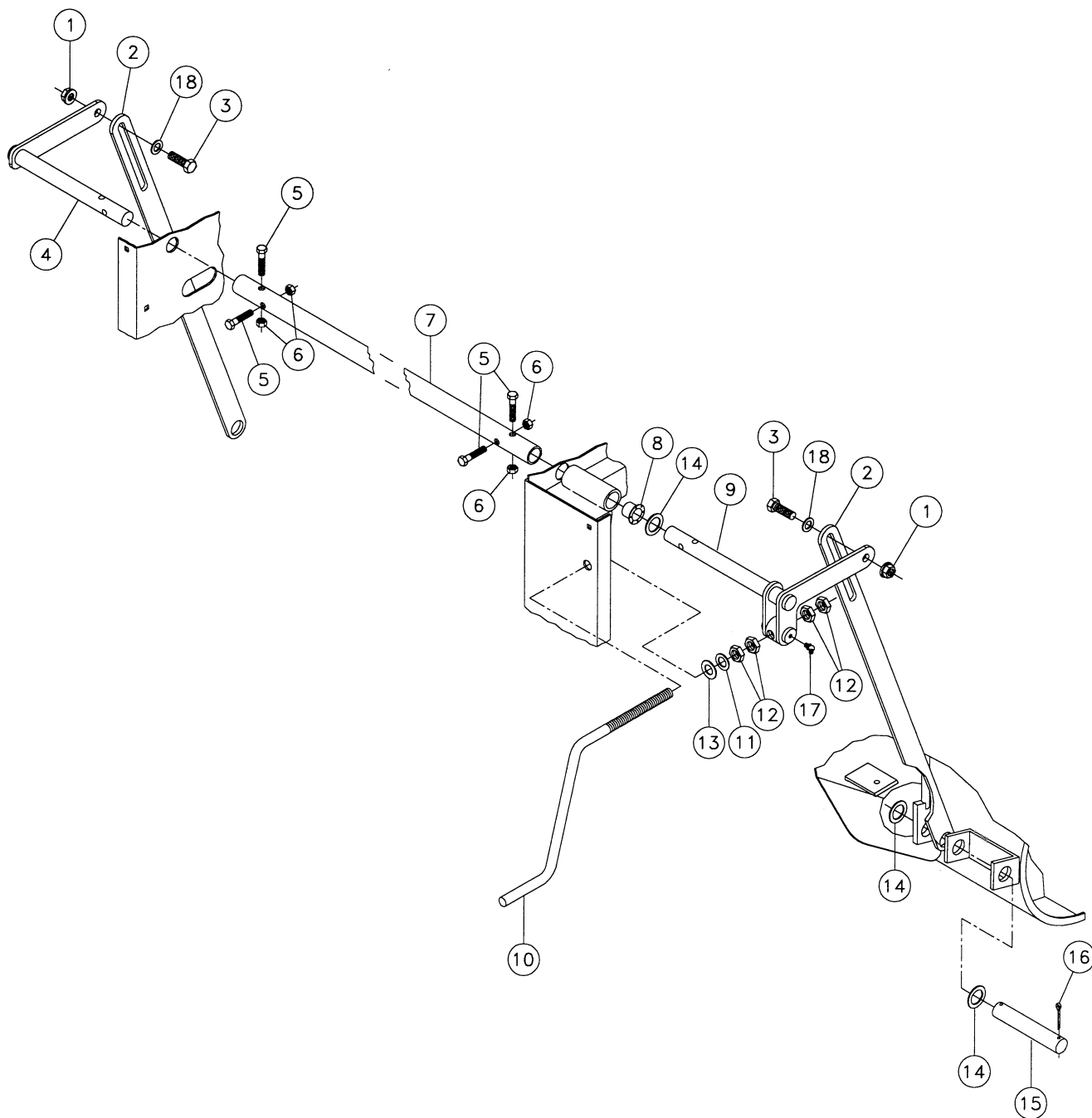
## PICKUP ASSEMBLY

Figure 1-5

REF. NO.	PART NO.	DESCRIPTION	QTY.		SERIAL NO.		REMARKS
			5400	5500	5400	5500	
1-5	1	125973-001	END PLATE-PICKUP RH	1	1		
1-5	2	1100-077	TUBE-RND 1 3/4ODX12GA- 3 3/16	1	1		
1-5	3	483-009	WASHER-2 1/4X1 1/2X14 GA M.B.	3	3		
1-5	4	507496-001	FLANGETTE-80MM NON LUBE PLTD	4	4		
1-5	5	212-001	BEARING-1 1/2 SPHERICAL	2	2		
1-5	6	352-004	5/16-18X1/2 GR5HXSLF TAP WA HD	4	4		
1-5	7	1809-001	NUT-1/2 SM FLGE TOP LOCK	8	8		
1-5	8	505920-001	FLANGETTE-1 1/4 - 72MM PLTD.	2	2		
1-5	9	4052-001	BEARING-1 1/4 SPHERICAL	1	1		
1-5	10	485-005	WASHER-5/16 FLAT	1	1		
1-5	11	1809-003	NUT-3/8 SM FLGE T.L.	6	6		
1-5	12	111164-001	WASHER-2 1/4 OD X 17/32 ID X 1/4 ZP	1	1		
1-5	13	510501-122	SPACER - PICKUP DRUM SHAFT-1.18"	1	1		
1-5	14	69436-001	PIN-TOOTH MOUNTING 1070515M1	4	4		
1-5	15	68776-001	BUSHING-FIBERGLASS 1 1/4ODX1X1	8	8		
1-5	16	71284-001	DRUM-PICKUP	1	-		
		69103-001	DRUM-PICKUP	-	1		
1-5	17	483-005	WASHER-1 1/2X1X14 GA M.B.	8	8		
1-5	18	79911-001	BACKPLATE-PICKUP	1	-		
		86281-001	BACKPLATE-PICKUP	-	1		
1-5	19	82364-001	SHIELD-PICKUP UNDERCARRIAGE	2	2		
1-5	20	21294-006	BOLT-5/16-18X3/4ST-WHD GR.8 HEX	68	84		
1-5	21	89982-001	BAND-PICKUP	15	19		
1-5	22	71346-001	ANGLE-TOOTH MOUNT	4	-		
		69496-001	ANGLE-TOOTH MOUNT	-	4		
1-5	23	351-006	BOLT- 5/16-18X3/4" GR.5 HEX	32	40		
1-5	24	27997-001	TEETH-RUBBER MNTD PICKUP D4315	32	40		
1-5	25	1809-007	NUT - 5/16-18 SM.FLGE.T.L.	32	40		
1-5	26	16114-020	BOLT-3/8-16 X 2 HEX HEAD GR.8	16	16		
1-5	27	20946-001	BAR-TOOTH MOUNT ANGLE	8	8		
1-5	28	15289-001	NUT-3/8-16NC SLTL GR.8	16	16		
1-5	29	69071-001	ARM-PICKUP ECCENTRIC	4	4		
1-5	30	422-001	NUT-1/2 NC HEX JAM	8	8		
1-5	31	1732-003	BEARING-#202KRR7 FAFNIR	4	4		
1-5	32	358-014	BOLT-1/2-13X1 1/2"GR.5 HEX	4	4		
1-5	33	87047-001	CAMTRACK	1	1		
1-5	34	510501-123	SPACER - PICKUP DRUM SHAFT-2.23"	1	1		
1-5	35	125972-001	END PLATE-PICKUP LH	1	1		
1-5	36	485-007	WASHER-3/8 FLAT	3	3		
1-5	37	4471-010	BOLT-1/2-13X1 GR5 SER.WA.FL.SC	7	7		
1-5	38	510337-611	WASHER - FLATSTD - .50-.56X1.38-.11-YZ	6	6		
1-5	39	480-011	WASHER-1/2 S/T LOCK	3	3		
1-5	40	358-006	BOLT-1/2"-13X3/4"GR.5 HEX	1	1		
1-5	41	69482-001	COVER-CAM INSPECTION	1	1		
1-5	42	125028-001	ROD-LIFT	2	2		
1-5	43	1071-073	TUBE-3/4"ODX12 GA.-6 7/8"	2	2		
1-5	44	1803-115	SPRING-COMP. 1 3/8ODX9"-13/64 W. ZP	2	2		
1-5	45	1071-039	TUBE-3/4"ODX12 GA.-1/2"	2	2		
1-5	46	1100-063	RND TUBE 1 3/4"ODX12 GA.-1 1/4"	1	1		
1-5	47	505919-001	FLANGETTE-1 1/4 - 62 MSTR PLTD	2	2		
1-5	48	4047-001	BEARING-1 1/4 SPHERICAL	1	1		
1-5	49	501036-001	WASHER-1 3/4ODX17/32IDX1/4 ZINC	1	1		
1-5	50	505951-001	BOLT-1/2-13X1 BUT-HD SOC GR.5 ZP	2	2		
1-5	51	510304-012	SCREW-HCS-.50-13X1.25-GR5-YZ	1	1	1975&UP	564&UP
1-5	52	510352-501	NUT-SMFLGCTRLOCK-.50-13-G-YZ	1	1	1975&UP	564&UP
1-5	53	76495-001	STRAP-PICKUP SHIELD PIN	1	1		
1-5	54	502261-001	SHIELD-PICKUP DRIVE	1	1		
1-5	55	483-003	WASHER-1 1/2X1X10 GA M.B.	5	5		
1-5	56	76171-001	PIN - PICKUP SHIELD	1	1	101-1974	101-563
1-5	57	1788-041	PIN EXPANSION 3/16 X 3/4 ZINC	1	1	101-1974	101-563

PICKUP LIFT ASSEMBLY

Figure 1-6



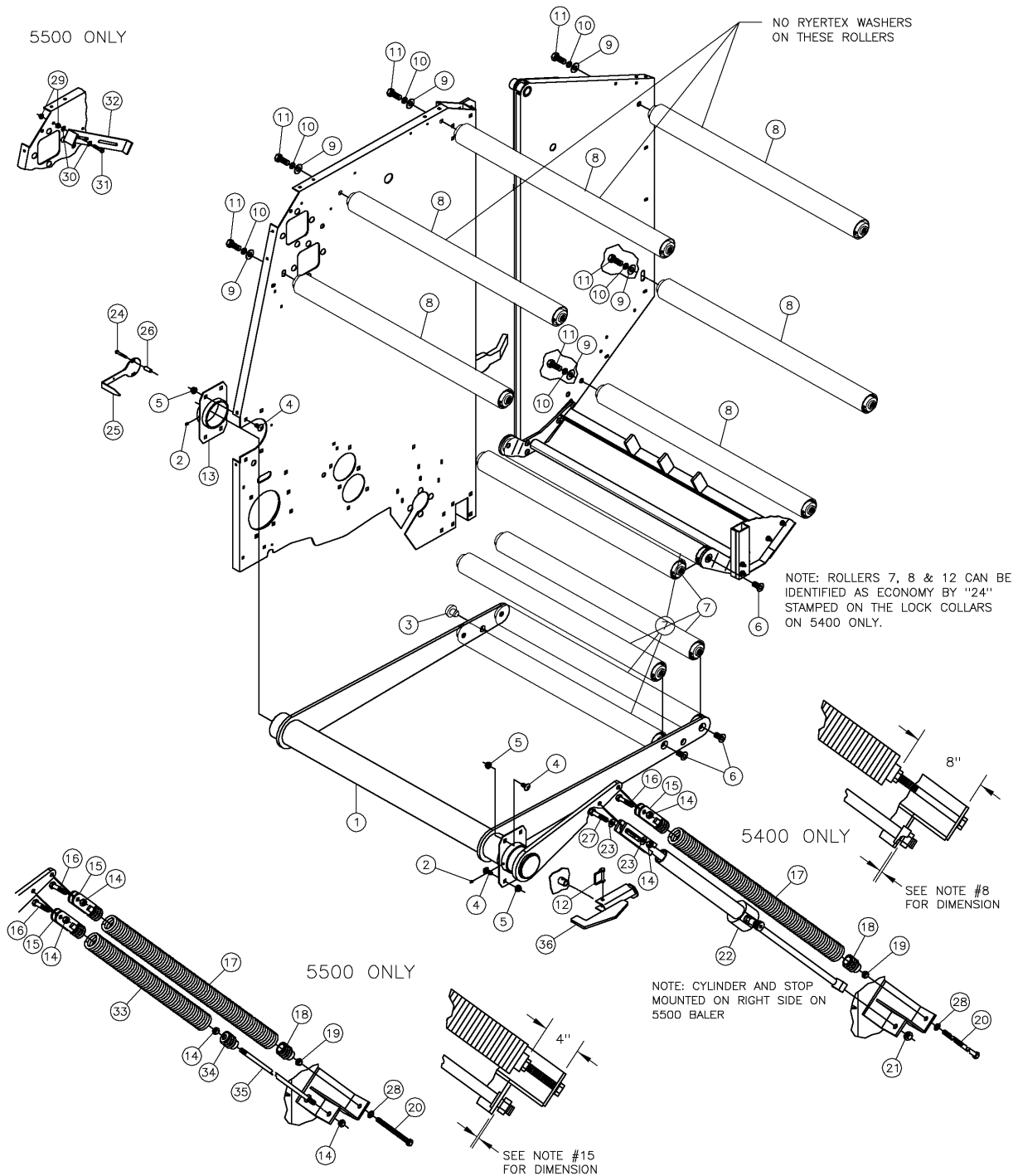
## PICKUP LIFT ASSEMBLY

Figure 1-6

REF. NO.	PART NO.	DESCRIPTION	QTY.		SERIAL NO.		REMARKS
			5400	5500	5400	5500	
1-6	1	1809-001	NUT-1/2 SM FLGE TOP LOCK	2	2		
1-6	2	505959-001	STRAP - PICKUP LIFT	2	2		
1-6	3	358-012	BOLT-1/2-13X1 1/4" GR. 5 HEX	2	2		
1-6	4	505969-001	CRANK - PICKUP LIFT RH	1	1		
1-6	5	354-016	BOLT-3/8-16X1 3/4" GR. 5 HEX	4	4		
1-6	6	416-001	NUT-3/8 NC SLTL	4	4		
1-6	7	125939-001	TUBE-TORQUE	1	-		
		126974-001	TUBE-TORQUE	-	1		
1-6	8	209-003	NYLINER 16 L 16 F	1	1		
1-6	9	507906-001	CRANK - PICKUP LIFT LH	1	1		
1-6	10	507902-001	HANDLE - CRANK	1	1		
1-6	11	121820-001	WASHER-5/8 HARDENED FLAT ZINC	1	1		
1-6	12	429-001	NUT-5/8 NC HEX JAM	4	4		
1-6	13	509447-001	WASHER-NYLON 5/8"	1	1		
1-6	14	483-005	WASHER-1 1/2X1X14 GA M.B.	5	5		
1-6	15	87013-001	LIFT PIN	2	2		
1-6	16	510-019	COTTER PIN-5/32" X 2"	4	4		
1-6	17	596-001	ZERK - 1/4" NF 45 DEG GREASE	1	1		
1-6	18	485-011	WASHER-1/2" FLAT	2	2		

BELT TIGHTENER/IDLER ROLLER ASSEMBLY

Figure 1-7



## BELT TIGHTENER/IDLER ROLLER ASSEMBLY

Figure 1-7

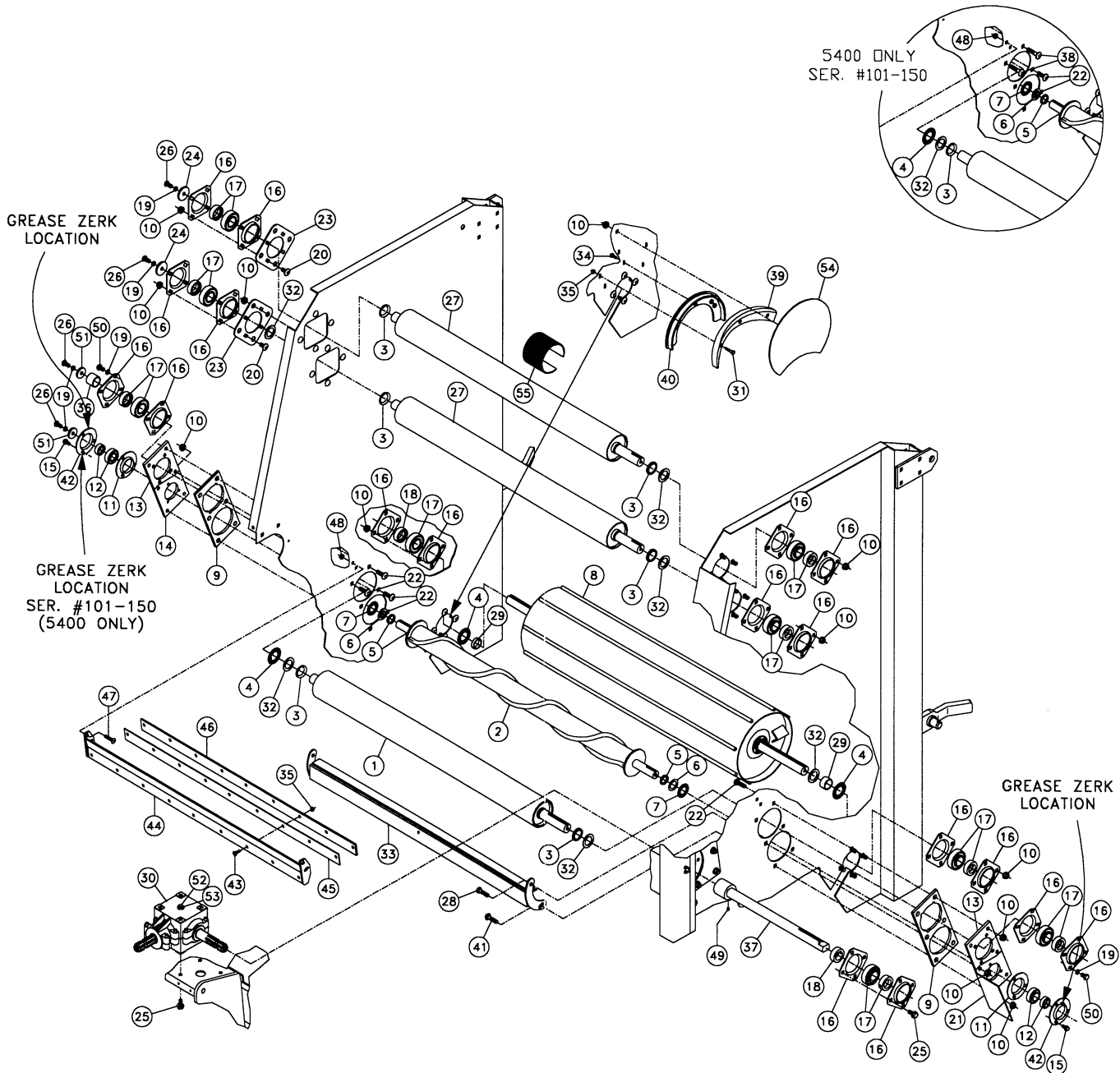
REF. NO.	PART NO.	DESCRIPTION	QTY.		SERIAL NO.		REMARKS
			5400	5500	5400	5500	
1-7	1	507908-001	TIGHTENER - BELT (INC. ONE OF REF. 2)	1	-	101-409	
		508163-001	TIGHTENER - BELT (INC. ONE OF REF. 2)	1	-	410 & UP	
		508124-001	TIGHTENER - BELT (INC. TWO OF REF. 2)	-	1		
1-7	2	598-001	ZERK-1/4" NF ST GREASE	2	2		
1-7	3	90054-001	SLIDE BUTTON	2	2		
1-7	4	377-010	BOLT-1/2"-13X1"GR. 5 CARR.	8	8		
1-7	5	1809-001	NUT-1/2 SM FLGE TOP LOCK	8	8		
1-7	6	521-014	3/4-10X1 1/2"FLT SKT HD CP SCR	6	6		
1-7	7	508182-001	ROLLER-SHORT 3 1/2" IDLER 4' ECON. (BREAKDOWN FIG. 1-18)	3	-		
		508114-001	ROLLER-SHORT 3 1/2" IDLER 5' (BREAKDOWN FIG. 1-18)	-	3		
1-7	8	127479-001	ROLLER-LONG 3 1/2" IDLER 4' (BREAKDOWN FIG. 1-19)	6	-		
		127482-001	ROLLER-LONG 3 1/2" IDLER 5' (BREAKDOWN FIG. 1-19)	-	6		
1-7	9	485-017	WASHER-3/4 FLAT	12	12		
1-7	10	480-017	WASHER-3/4 S/T LOCK	12	12		
1-7	11	369-020	BOLT-3/4-10X2" GR. 5 HEX	12	12		
1-7	12	2109-003	PIN LOCKING - 3/8 X 2 1/4	1	1		
1-7	13	507907-001	PIVOT - BELT TIGHTENER (INC. ONE OF REF. 2)	1	-		
1-7	14	430-001	NUT-5/8 NC SLTL GRADE B ZINC	2	5		
1-7	15	106981-001	CLEVIS - SPRING PLUG	1	2		
1-7	16	366-026	BOLT-5/8-11X2 3/4" GR. 5 HEX	1	2		
1-7	17	1789-109	SPRING-2 7/80DX.4999WIRE-38.9	1	-		See note below
		1789-101	SPRING-2 7/80DX.4999WIRE-41.5	-	1		See note below
1-7	18	77353-001	PLUG-SPRING	1	1		
1-7	19	428-001	NUT-5/8 NC HEX	1	1		
1-7	20	500106-134	BOLT-5/8-11X 13 1/2 GR5 HEX PLT	1	-	410 & UP	
		503386-001	BOLT-5/8-11X 7 1/2 GR5 HEX ZP FULL THD	1	1	101-409	
1-7	21	434-001	NUT-3/4 NC SLTL	1	1		
1-7	22	508028-001	CYLINDER-BELT TENSIONING (BREAKDOWN FIG. 1-21)	1	1		
1-7	23	485-015	WASHER-5/8 FLAT	2	2		
1-7	24	53653-020	BOLT - 1/4 - 20 X 2" S TAP ZP	2	2		
1-7	25	508055-001	POINTER - BALE SIZE INDICATOR	1	-		
		508173-001	POINTER - BALE SIZE INDICATOR	-	1		
1-7	26	508062-001	TUBE - 1/2 OD X 16 GA. X 1.30	2	2		
1-7	27	366-030	BOLT-5/8-11X3" GR. 5 HEX	1	1		
1-7	28	121820-001	WASHER-5/8 HARDENED FLAT ZINC	1	1		
1-7	29	4536-001	NUT-3/8-16 FLG. WHIZ LOCK	-	4		
1-7	30	485-007	WASHER-3/8 FLAT	-	4		
1-7	31	354-014	BOLT-3/8-16X1 1/2 GR. 5 HEX	-	2		
1-7	32	508154-001	INDICATOR-FULL BALE	-	1		
1-7	33	1789-099	SPRING-2 7/80DX.4999WIRE-27	-	1		
1-7	34	82639-001	PLUG-SPRING	-	1		
1-7	35	508160-001	ROD-SPRING ASSEMBLY	-	1		
1-7	36	509458-001	STOP-TENSIONING CYLINDER	1	1		

106983-001 SPRING ASSEMBLY (INC. REF. 15, 17 & 18) (5400)  
509060-001 SPRING ASSEMBLY (INC. REF. 15, 17 & 18) (5500)  
510203-001 SPRING ASSEMBLY (INC. REF. 15, 33 & 34) (5500)

NOTE: SERVICE TOOL 500057-001 AVAILABLE FOR INSERTING OR REMOVING PLUGS #15, 18 & 34

### STARTING AND DRIVE ROLLER ASSEMBLY

Figure 1-8





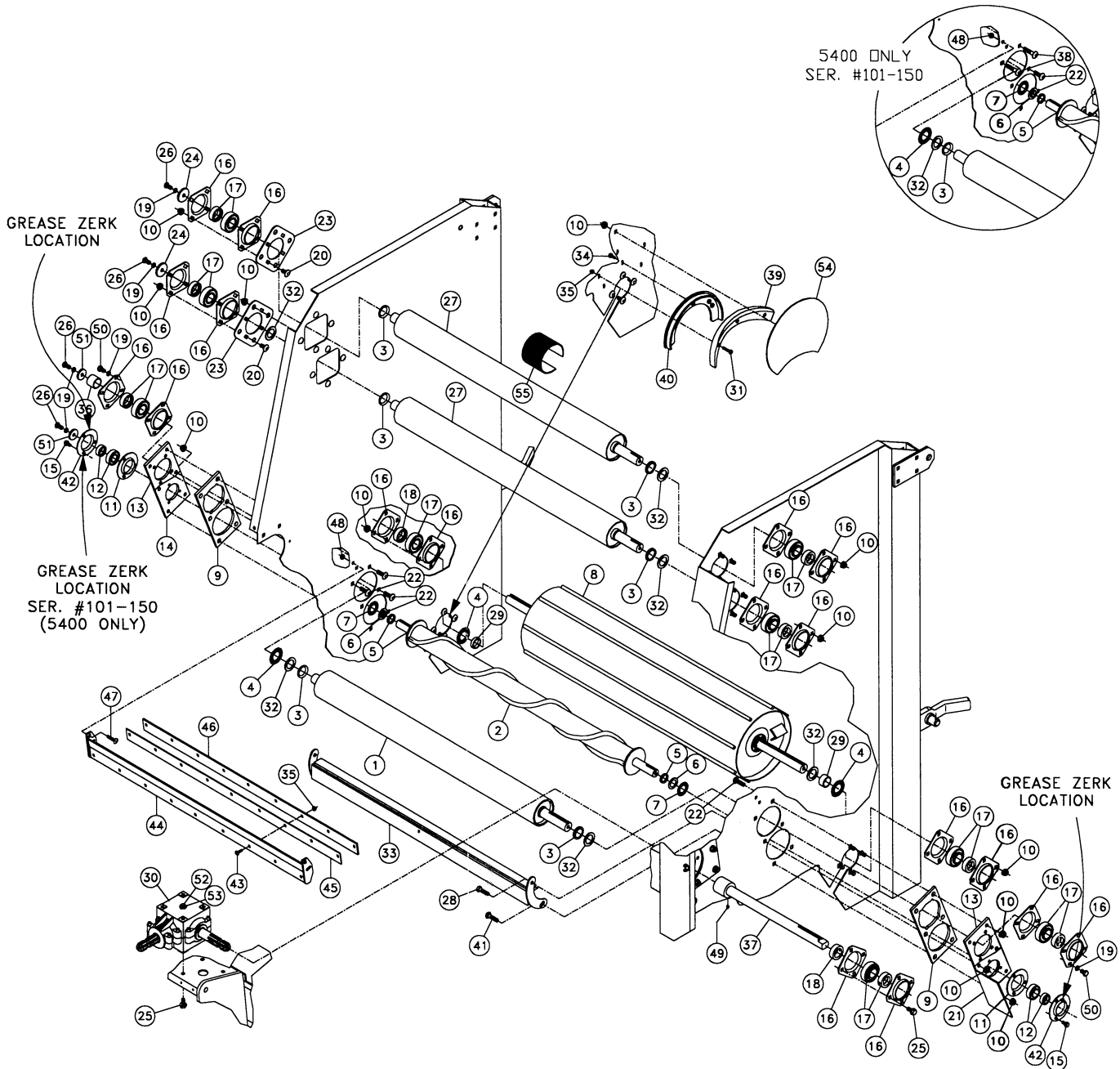
## STARTING AND DRIVE ROLLER ASSEMBLY

Figure 1-8

REF. NO.	PART NO.	DESCRIPTION	QTY.		SERIAL NO.		REMARKS
			5400	5500	5400	5500	
1-8	1	508003-001	ROLLER-LOWER DRIVE	1	-	101-150	
		508098-001	ROLLER-LOWER DRIVE	1	-	151 & UP	
		508127-001	ROLLER-LOWER DRIVE	-	1		
1-8	2	507947-001	ROLLER-SPIRAL START 1 1/4" SHAFT	1	-		
		508125-001	ROLLER-SPIRAL START 1 1/4" SHAFT		1		
1-8	3	90568-001	COLLAR-BEARING STOP	6	6		
1-8	4	27614-001	WASHER-RYERTEX 16 GA.GD.C	4	4		
1-8	5	1093-011	TUBE-1 1/2"ODX12 GA.-1/4"	2	2		
1-8	6	483-007	WASHER-1 7/8X1 1/4X14 GA M.B.	6	6		
1-8	7	71839-001	WASHER-RYERTEX 2 1/4X1 9/32	2	2		
1-8	8	508070-001	DRUM ROLLER - 4' W/TAPPED ENDS (BREAKDOWN FIG. 1-20)	1	-		
		508132-001	DRUM ROLLER - 5' W/TAPPED ENDS (BREAKDOWN FIG. 1- 20)	-	1		
1-8	9	505988-001	PLATE - LOWER DRIVE / START ROLLER	2	2		
1-8	10	1809-001	NUT-1/2 SM FLGE TOP LOCK	50	50		
1-8	11	502287-001	FLANGETTE - 1 1/4 3 BOLT PLATED	2	2		
1-8	12	502289-001	BEARING - 1 1/4 SPHERICAL	2	2		
1-8	13	505989-001	PLATE - LOWER DRIVE ROLLER	2	2		
1-8	14	505990-001	PLATE - START ROLLER	1	1		
1-8	15	4475-006	BOLT-3/8-16X3/4 FLG WHIZ	6	6		
1-8	16	507496-001	FLANGETTE 80MM NON LUBE PLTD	18	18		
1-8	17	212-001	BEARING - 1 1/2 SPHERICAL	9	9		
1-8	18	1500-013	SET COLLAR-1 1/2" (PLATED)	1	1		
1-8	19	480-011	WASHER-1/2 S/T LOCK	12	12		
1-8	20	377-010	BOLT-1/2"-13X1"GR. 5 CARRIAGE	8	8		
1-8	21	508049-001	PLATE - BEARING MOUNT (LH)	1	1		
1-8	22	377-014	BOLT-1/2-13X1 1/2"GR. 5 CARRIAGE	8	8		
1-8	23	103307-001	PLATE-BEARING	2	2		
1-8	24	111164-001	WASHER-2 1/4 OD X 17/32 ID X 1/4	2	2		
1-8	25	4471-010	BOLT-1/2-13X1 GR. 5 SER.WA.FL.SC	8	8		
1-8	26	505951-001	BOLT - 1/2 - 13 X 1 BUT - HD SOC	4	4		
1-8	27	131697-001	ROLLER - UPPER DRIVE	2	-		
		131709-001	ROLLER - UPPER DRIVE	-	2		
1-8	28	358-016	BOLT-1/2-13X1 3/4 GR. 5 HEX	2	2		
1-8	29	1100-011	RND TUBE 1 3/4X12GA.-3/4"	2	2		
1-8	30	507948-001	GEARBOX - 1:1.35 6 SPLINE ECONOMY (BREAKDOWN FIG. 1-26)	1	1	664&UP	For complete new gearbox substitute w/69665-001
		69665-001	SUPERIOR GEARBOX ASSEMBLY (BREAKDOWN FIG. 1-27)	-	1	101-663	
1-8	31	351-012	BOLT-5/16"-18X1 1/4"GR. 5 HEX	6	6		
1-8	32	510336-669	WASHER-MCHBSHG-1.50-1.53X2.25-14G-YZ	A/R	A/R		
1-8	33	501199-001	KNIFE - START ROLLER 4'	1	-		
		501200-001	KNIFE - START ROLLER 5'	-	1		
1-8	34	4474-004	BOLT-5/16-18X1/2 FLG WHIZ	6	6		
1-8	35	1809-007	NUT - 5/16-18 SM.FLGE.T.L.	15	17		
1-8	36	1100-067	TUBE-1 3/4ODX12GA.-1 3/8"	1	-	101-150	
1-8	37	508013-001	SHAFT - CROSS DRIVE	1	-		
		508129-001	SHAFT - CROSS DRIVE	-	1		
1-8	38	377-022	BOLT-1/2-13X2 1/4 GR. 5 CARRIAGE	2	-	101-150	
1-8	39	86993-001	WEDGE (LH) (NOT SHOWN)	1	1		
		86993-002	WEDGE (RH) (SHOWN)	1	1		
1-8	40	86962-001	HAYGUARD	2	2		
1-8	41	377-016	BOLT-1/2-13X1 3/4"GR. 5 CARRIAGE	2	2		
1-8	42	502288-001	FLANGETTE 1 1/4 3 BOLT W/ ZERK PL	2	2		
1-8	43	16380-010	BOLT-5/16-18X1 GR. 5 CARRIAGE	9	11		
1-8	44	82885-001	MOUNT-ROLLER KNIFE	1	-		
		86279-001	MOUNT-ROLLER KNIFE	-	1		
1-8	45	81410-001	BLADE-ROLLER KNIFE	1	-		
		81406-001	BLADE-ROLLER KNIFE	-	1		

STARTING AND DRIVE ROLLER ASSEMBLY (CONT.)

Figure 1-8



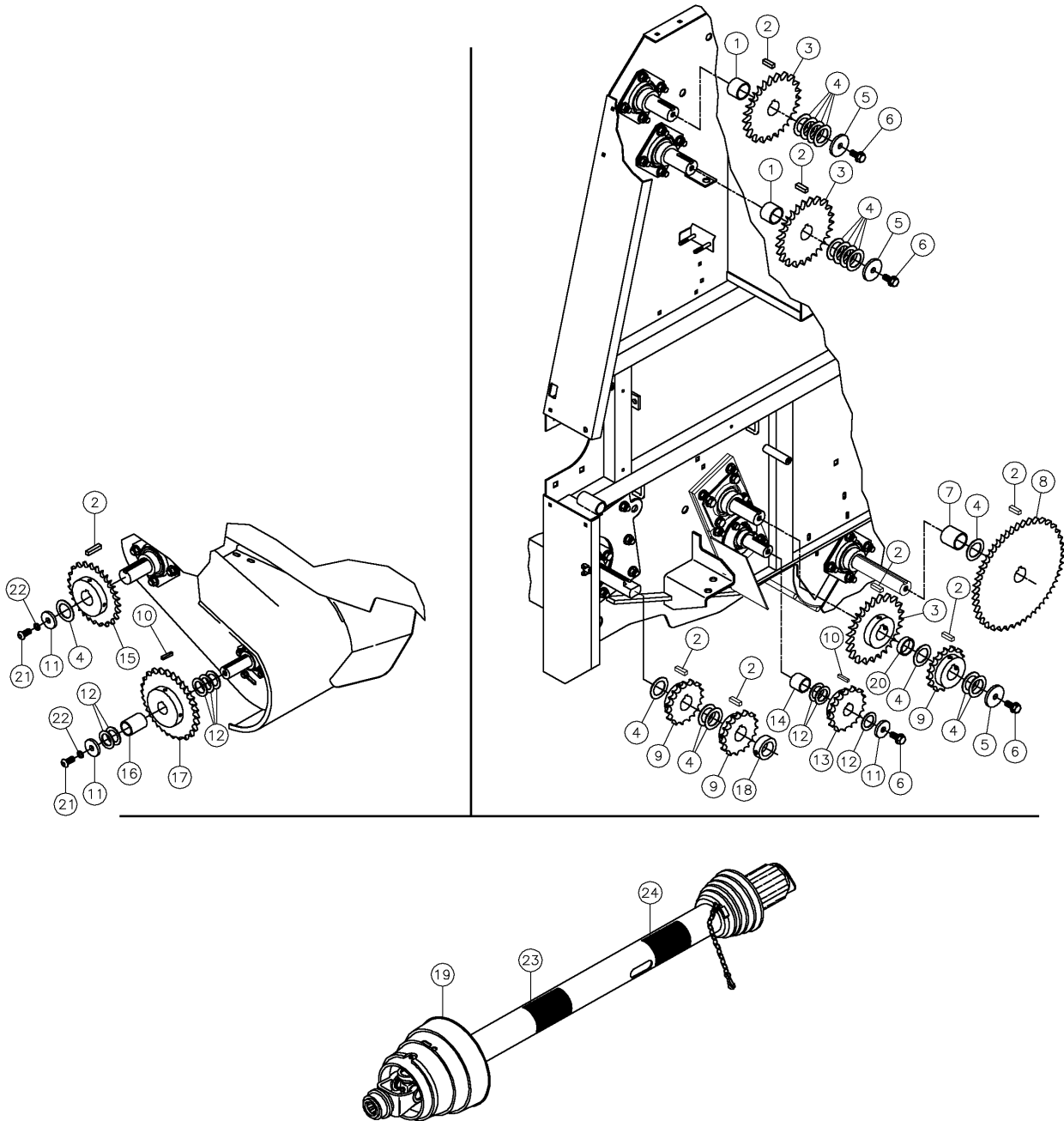
## STARTING AND DRIVE ROLLER ASSEMBLY (CONT.)

Figure 1-8

REF. NO.	PART NO.	DESCRIPTION	QTY.		SERIAL NO.		REMARKS
			5400	5500	5400	5500	
1-8 46	81411-001	PLATE-KNIFE BLADE BACK	1	-			
	81407-001	PLATE-KNIFE BLADE BACK	-	1			
1-8 47	375-016	BOLT 3/8-16X1 3/4 GR. 5 CARRIAGE	4	4			
1-8 48	1809-003	NUT-3/8 SM FLGE T.L.	4	4			
1-8 49	598-001	ZERK-1/4" NF ST GREASE	1	1			
1-8 50	358-006	BOLT-1/2"-13X3/4"GR. 5 HEX	8	8			
1-8 51	501036-001	WASHER - 1 3/4 OD X 17/32 ID X 1/4 ZN	2	2			
1-8 52	15-033	FITTING-VENT PLUG	1	1			
1-8 53	15-031	FITTING-1/2X1/8 HEX BSHG	1	1			
1-8 54	82365-001	RESTRICTOR-BALE (OPTIONAL)	2	2			
1-8 55	5776-001	TAPE-TRACTION (OPTIONAL) (SPECIFY LENGTH)			A/R	A/R	

DRIVE SPROCKET/PTO DRIVELINE ASSEMBLY

Figure 1-9



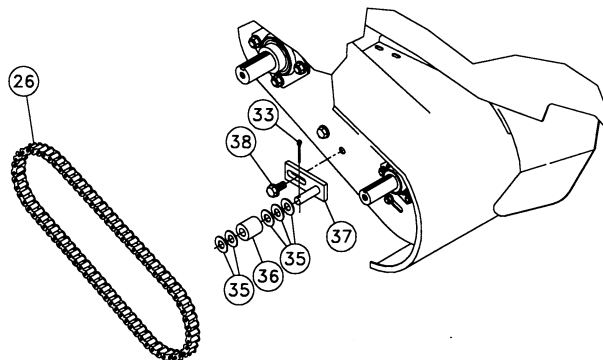
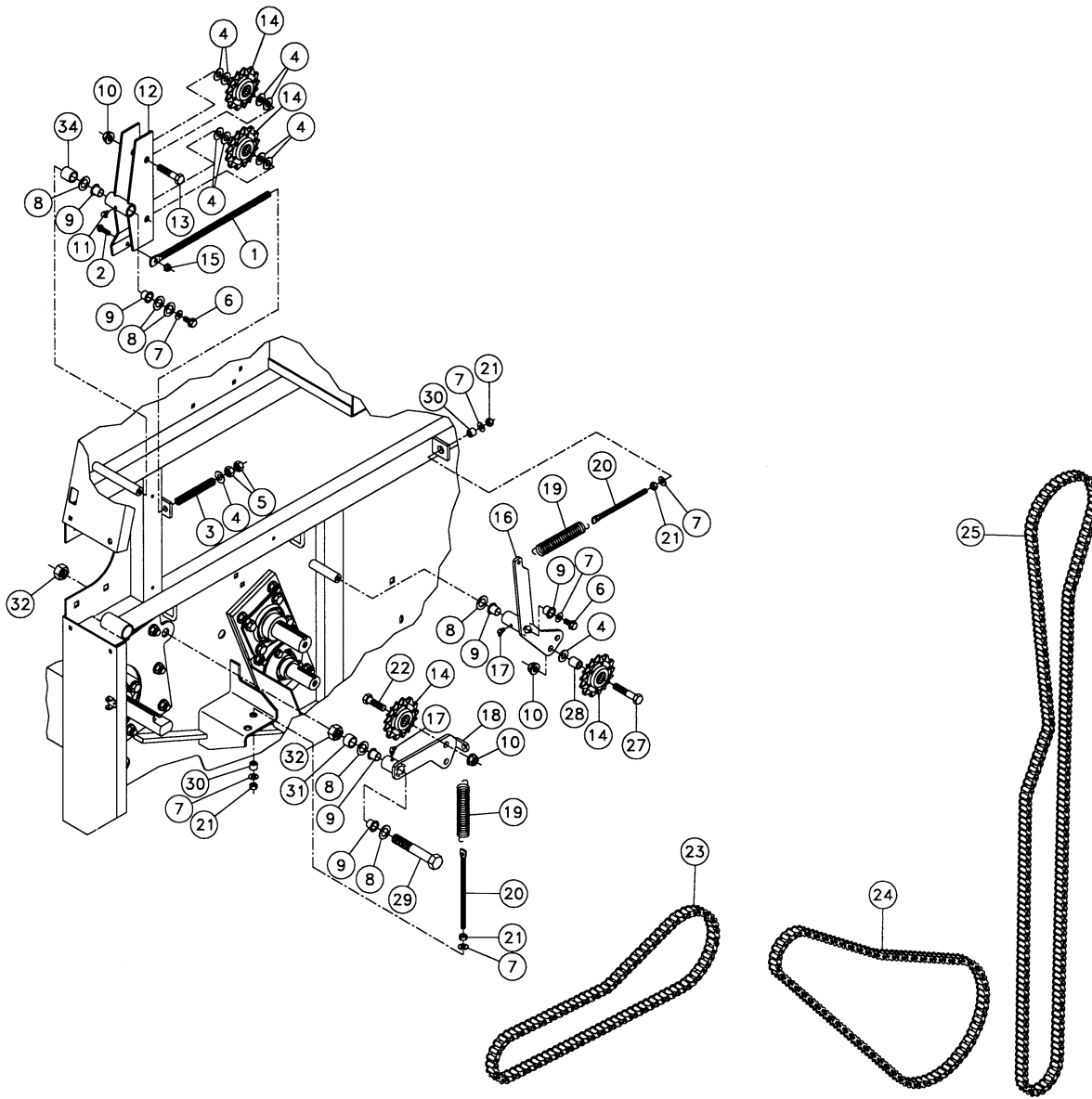
## DRIVE SPROCKET/PTO DRIVELINE ASSEMBLY

Figure 1-9

REF. NO.	PART NO.	DESCRIPTION	QTY.		SERIAL NO.		REMARKS
			5400	5500	5400	5500	
1-9	1	1100-067	TUBE-1 3/4ODX12GA.-1 3/8"	2	2		
1-9	2	579-003	HKEYS-3/8X3/8X1 1/4	8	8		
1-9	3	507953-001	SPROCKET-60BS24 H 1 1/2	3	3		
1-9	4	510336-669	WASHER-MCHBSHG-1.50-1.53X2.25-14G-YZ	20	20		
1-9	5	111164-001	WASHER-2 1/4 OD X 17/32 ID X 1/4	3	3		
1-9	6	4471-010	BOLT-1/2-13X1 GR5 SER.WA.FL.SC	4	4		
1-9	7	1100-025	TUBE-1 3/4"ODX12 GA.-1 3/4"	1	1		
1-9	8	507956-001	SPROCKET-60BS46 1 1/2	1	1		
1-9	9	2328-047	SPROCKET-60BS17 1.5 BORE 3/8 KEY	3	3		
1-9	10	578-003	HKEYS-1/4X1/4X1 1/4	2	2		
1-9	11	501036-001	WASHER-1 3/4 OD X 17/32 ID X 1/4 ZINC	3	3		
1-9	12	483-007	WASHER-1 7/8X1 1/4X14 GA M.B.	8	8		
1-9	13	508038-001	SPROCKET-60B18H 1 1/4B 1/4K	1	1		
1-9	14	1093-039	TUBE-1 1/2"ODX12 GA.-1 1/8"	1	1		
1-9	15	507954-001	SPROCKET-60BS27 1 1/2	1	1		
1-9	16	1093-001	TUBE-1 1/2"ODX12 GA.-1 3/4"	1	1		
1-9	17	507955-001	SPROCKET-60BS30 1 1/4	1	1		
1-9	18	1500-013	SET COLLAR-1 1/2" (PLATED)	1	1		
1-9	19	507959-001	DRIVELINE-1 3/8" 6 SPLINE RADIAL PIN CLUTCH (BREAKDOWN FIG. 1-24)	1	1		
1-9	20	1100-009	TUBE-1 3/4"ODX12 GA.-7/16"	1	1		
1-9	21	505951-001	SCREW-1/2-13X1" BUTTONHEAD, ZINC	2	2		
1-9	22	480-011	WASHER-1/2" S/T LOCK	2	2		
1-9	23	2326-902	DECAL-PTO ROTATING DRIVE LINE	1	1		
1-9	24	70000-108	DECAL-DANGER SHIELD MISSING	1	1		

CHAINS/CHAIN TIGHTENERS ASSEMBLY

Figure 1-10



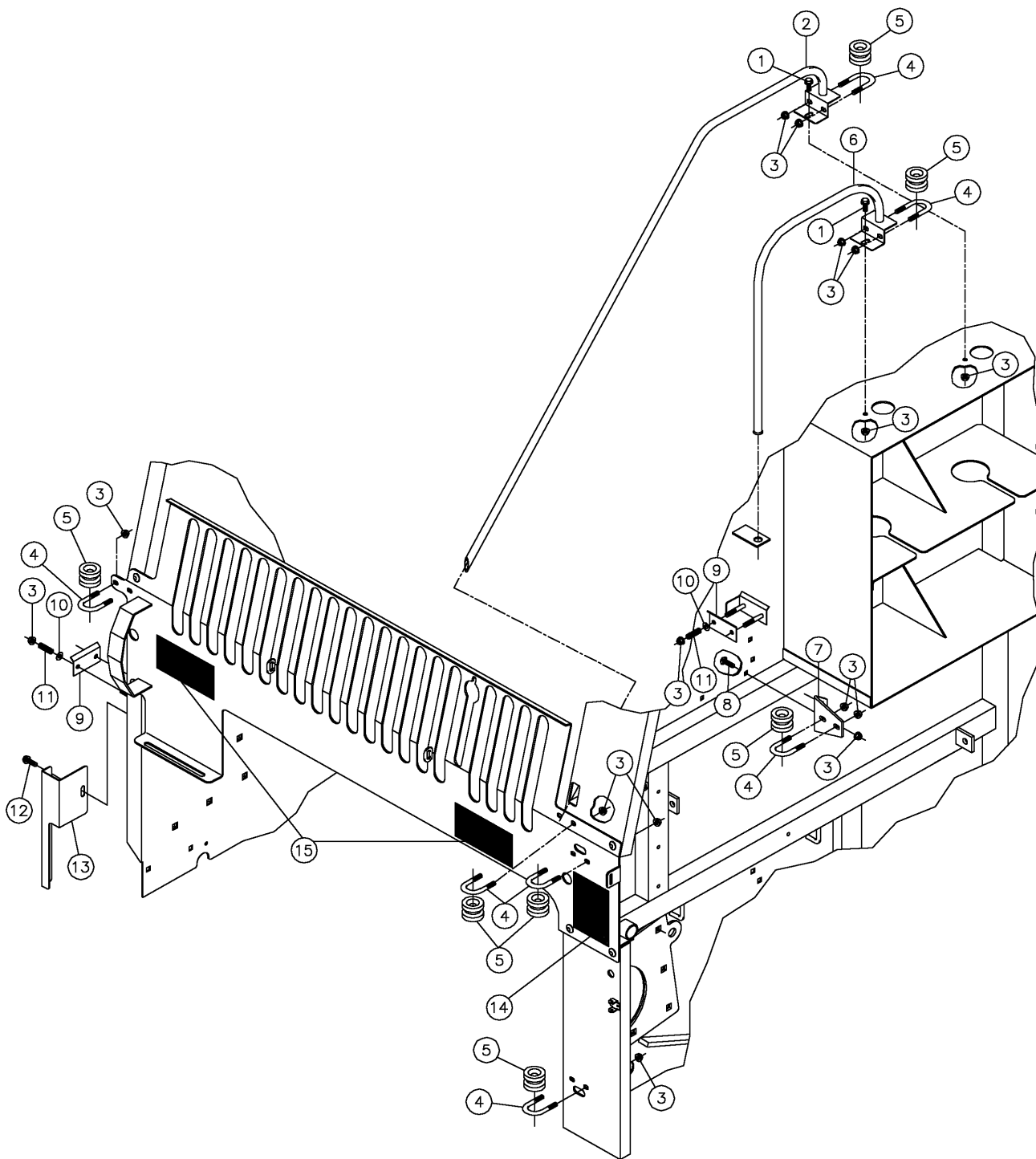
## CHAINS/CHAIN TIGHTENERS ASSEMBLY

Figure 1-10

REF. NO.	PART NO.	DESCRIPTION	QTY.		SERIAL NO.		REMARKS
			5400	5500	5400	5500	
1-10	1	563-009	1	1			
1-10	2	351-006	1	1			
1-10	3	1803-013	1	1			
1-10	4	485-011	10	10			
1-10	5	421-001	4	4			
1-10	6	4475-006	2	2			
1-10	7	485-007	6	6			
1-10	8	483-071	7	7			
1-10	9	209-001	6	6			
1-10	10	1809-001	4	4			
1-10	11	597-001	1	1			
1-10	12	86730-003	1	1			
		INC. REF. 11)					
1-10	13	358-022	2	2			
1-10	14	1813-001	4	4			
1-10	15	1809-007	1	1			
1-10	16	131800-001	1	1			
		TIGHTENER ASSEMBLY (INCLUDES TWO OF REF. 9 & ONE OF REF. 17)					
1-10	17	596-001	2	2			
1-10	18	131801-001	1	1			
		TIGHTENER - CHAIN (INCLUDES TWO OF REF. 9 & ONE OF REF. 17)					
1-10	19	1789-097	2	2			
		SPRING-EXT. 1" OD X 4 1/2" - 1/8 W. ZINC					
1-10	20	563-001	2	2			
		SPADE BOLT - 3/8 - 16 X 5 1/2					
1-10	21	412-001	4	4			
		NUT-3/8 NC HEX					
1-10	22	358-016	1	1			
		BOLT-1/2-13X1 3/4 GR. 5 HEX					
1-10	23	1778-069	1	1			
		CHAIN - 60 X 69 W/CONN & OFFSET					
		1773-005					
		CONN.LINK-60-1SF PKGD.					
		1769-005					
		ROLLER LINK-60-1 PKGD.					
		1770-005					
		OFFSET LINK-60-1 PKGD.					
1-10	24	1778-094	1	1			
		CHAIN - 60 X 94 W/CONN					
		1773-005					
		CONN.LINK-60-1SF PKGD.					
		1769-005					
		ROLLER LINK-60-1 PKGD.					
		1770-005					
		OFFSET LINK-60-1 PKGD.					
1-10	25	1778-164	1	1			
		CHAIN - 60 X 164 W/CONN.					
		1773-005					
		CONN.LINK-60-1SF PKGD.					
		1769-005					
		ROLLER LINK-60-1 PKGD.					
		1770-005					
		OFFSET LINK-60-1 PKGD.					
1-10	26	1778-072	1	1			
		CHAIN - 60 X 72 W/CONN					
		1773-005					
		CONN.LINK-60-1SF PKGD.					
		1769-005					
		ROLLER LINK-60-1 PKGD.					
		1770-005					
		OFFSET LINK-60-1 PKGD.					
1-10	27	358-026	1	1			
		BOLT-1/2-13X2 3/4 GR. 5 HEX					
1-10	28	1071-047	1	1			
		TUBE-3/4"ODX12 GA.-7/8"					
1-10	29	369-044	1	1			
		BOLT-3/4-10X4 1/2 GR. 5 HEX					
1-10	30	12728-019	2	2			
		5/8 OD X 17GA WALL - .50					
1-10	31	1078-029	1	1			
		TUBE-1"ODX12 GA.-5/8"					
1-10	32	432-001	2	2			
		NUT-3/4 NC HEX					
1-10	33	510-009	1	1			
		COTTER PIN-1/8" X 1"					
1-10	34	1078-037	1	1			
		TUBE-1"ODX12 GA.-1"					
1-10	35	485-015	5	5			
		WASHER-5/8 FLAT					
1-10	36	2104-001	1	1			
		RYTX BSHG-1 3/8ODX21/32ID-1 1/2 C					
1-10	37	69606-001	1	1			
		TIGHTENER-PICKUP CHAIN					
1-10	38	4471-010	1	1			
		BOLT-1/2-13X1 GR5 SER.WA.FL.SC					

### TWINE ROUTING ASSEMBLY

Figure 1-11





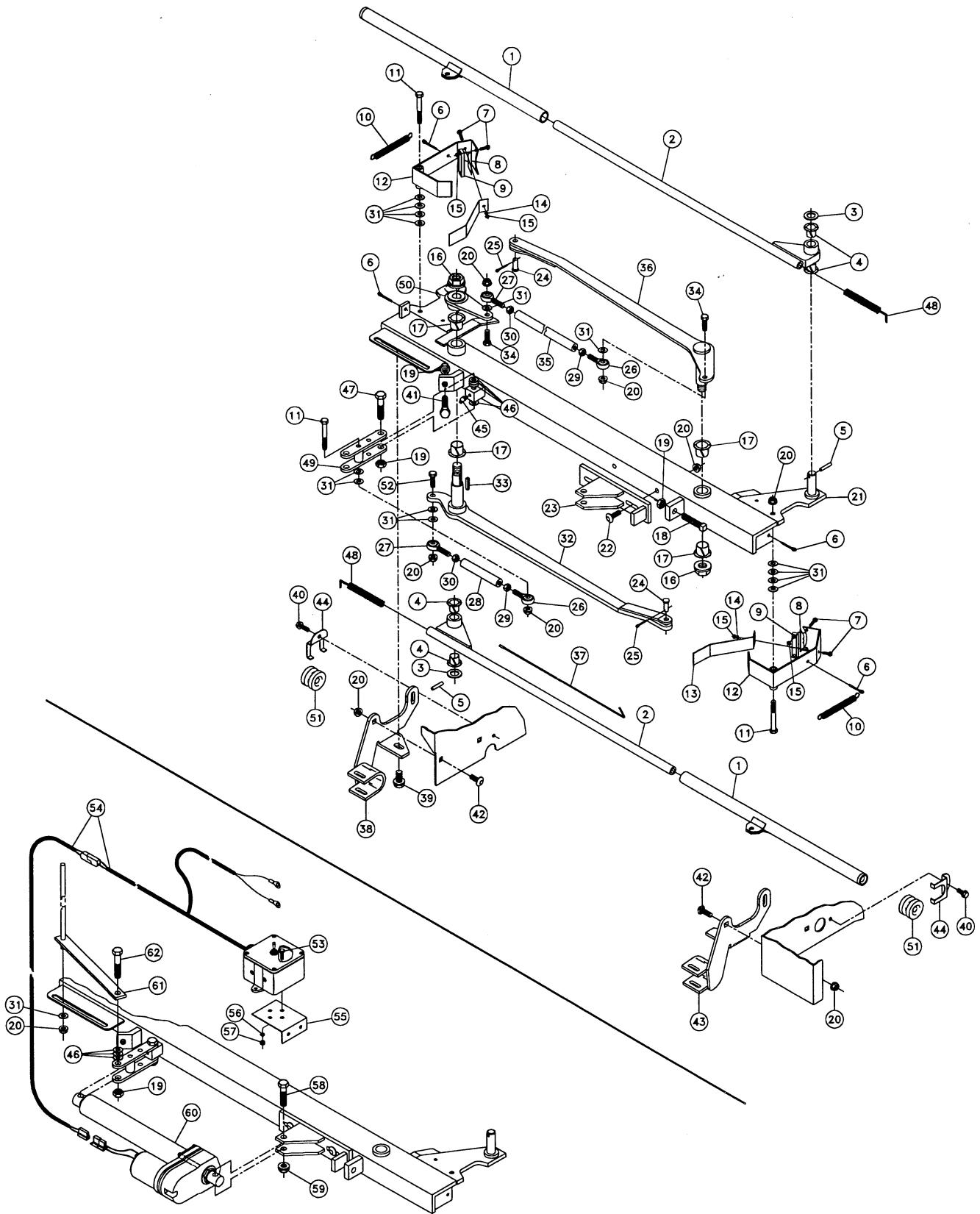
## TWINE ROUTING ASSEMBLY

Figure 1-11

REF. NO.	PART NO.	DESCRIPTION	QTY.		SERIAL NO.		REMARKS
			5400	5500	5400	5500	
1-11	1	4474-006	BOLT-5/16-18X3/4 FLANGE WHIZ	2	2		
1-11	2	507939-001	TUBE - TWINE LONG TOP	1	1		
1-11	3	1809-007	NUT - 5/16-18 SM FLGE T.L.	22	22		
1-11	4	559-001	U-BOLT - 5/16-18, 1 1/4 ID	7	7		
1-11	5	90196-001	INSULATOR-PORCELIN 1/2ID	7	7		
1-11	6	507938-001	TUBE - TWINE SHORT TOP	1	1		
1-11	7	507945-001	MOUNT - TWINE INSULATOR	1	1		
1-11	8	374-006	BOLT-5/16-18X3/4GR. 5 CARRIAGE	2	2		
1-11	9	502132-001	PLATE-TENSION	2	2		
1-11	10	485-005	WASHER-5/16 FLAT	4	4		
1-11	11	1803-187	SPRING-COMP..420ODX.031W-1.50	4	4		
1-11	12	510377-006	SCREW-HCS-.31-18X.75-GR8-YZ-SP	1	1		
1-11	13	510504-216	GUARD-TWINE RH	1	1		
1-11	14	7000B-824	DECAL - WARNING	1	1		
1-11	15	70000-447	DECAL - DANGER/BALER FEED	2	2		

TWINE TIE ASSEMBLY (SER. NO. 101-312)(5400 ONLY)

Figure 1-12



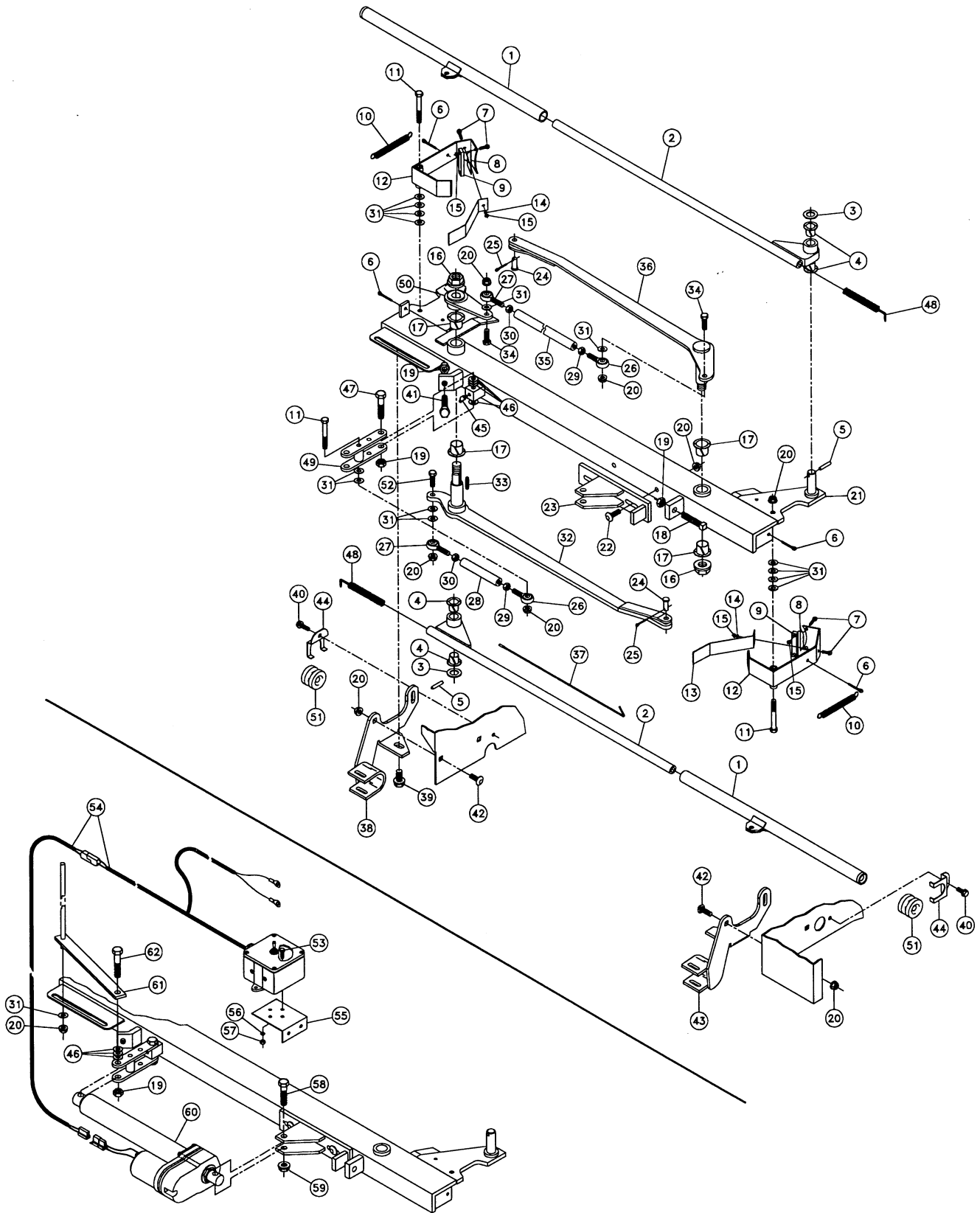
## TWINE TIE ASSEMBLY (SER. NO. 101-312) (5400 ONLY)

Figure 1-12

REF. NO.	PART NO.	DESCRIPTION	QTY.	SERIAL NO.	REMARKS
1-12	1	108256-001	SLIDE TUBE	2	
1-12	2	500488-001	FEED ARM	2	
1-12	3	483-071	WASHER-1 1/4X3/4X14 GA M.B. ZINC	2	
1-12	4	209-001	NYLINER 12 L 12 F	4	
1-12	5	1788-023	PIN-EXPANSION 1/4 X 1 1/4	1	
1-12	6	510-021	COTTER PIN-3/16" X 1"	4	
1-12	7	104209-001	SCREW-10-24X3/4SLOTHEX WASH.HD	6	
1-12	8	104196-001	BLADE-STAINLESS H.D. UTILITY	2	
1-12	9	75965-001	PLATE-TWINE TIE KNIFE BACK	2	
1-12	10	1789-017	SPRING - EXT. #93 4 3/4" OA	2	
1-12	11	354-030	BOLT-3/8-16X3"GRADE#5 HEX	3	
1-12	12	108232-001	TWINE CUTTER	2	
1-12	13	108224-001	TWINE KEEPER	2	
1-12	14	480-001	WASHER-3/16 S/T LOCK	2	
1-12	15	400-001	NUT-3/16 NC HEX	6	
1-12	16	1809-011	NUT - 3/4-10 SM FLGE. TL.	2	
1-12	17	209-003	NYLINER 16 L 16 F	4	
1-12	18	501160-001	BOLT-1/2-13X2 1/2 GR. #5 HEX FULL THD	1	
1-12	19	422-001	NUT-1/2 NC HEX JAM	4	
1-12	20	1809-003	NUT-3/8 SM FLGE T.L.	13	
1-12	21	508027-001	MOUNT-TWINE TIE	1	
1-12	22	375-012	BOLT-3/8-16X1 1/4"GR. #5 CARRIAGE	2	
1-12	23	108248-001	ACTUATOR MOUNT	1	
1-12	24	2110-037	PIN-CLEVIS 3/8X1 1/8-57/64VL	2	
1-12	25	510-013	COTTER PIN-5/32" X 5/8"	2	
1-12	26	121111-005	P SERIES MALE ROD END ASSY.	2	
1-12	27	1492-001	BALL JOINT	2	
1-12	28	121112-003	TUBE-4.86 LONG	1	
		121112-001	TIE ROD-3/8IDX6.75 (SHORT) (INC.REF. 26,27,28,29,& 30)	1	
1-12	29	121111-007	NUT-3/8" -24 L. H. HEX JAM	2	
1-12	30	446-001	NUT-3/8" N. F. HEX	2	
1-12	31	489-009	WASHER-13/16ODX13/32IDX16GASAE	A/R	
1-12	32	115202-001	MASTER LINK	1	
1-12	33	577-011	HKEY-3/16X3/16-1 1/4	1	
1-12	34	354-012	BOLT-3/8 - 16X 1 1/4" GR5 HEX	2	
1-12	35	121132-003	TUBE-27.93 LONG	1	
		121132-001	TIE ROD-3/8 X 29.76 LONG (INC.REF. 26,27,29,30,&35)	1	
1-12	36	119083-001	LINK-SLAVE	1	
1-12	37	91405-001	CABLE ASSEMBLY	1	
1-12	38	505992-001	MOUNT-TWINE TIE/WINDGUARD RIGHT	1	
1-12	39	4471-010	BOLT-1/2-13X1 GR5 SER.WA.FL.SC	2	
1-12	40	352-004	BOLT-5/16-18X1/2 GR. 5 SELF TAP	2	
1-12	41	358-014	BOLT-1/2-13X1 1/2"GR. #5 HEX	1	
1-12	42	375-010	BOLT-3/8-16X1 GR. 5 CARR.	4	
1-12	43	505991-001	MOUNT-TWINE TIE/WINDGUARD LEFT	1	
1-12	44	127428-001	CLIP-INSULATOR MOUNT	2	
1-12	45	596-001	ZERK-1/4" NF 45 DEG GREASE	1	
1-12	46	4542-005	WSHR-7/8OD X1/2ID X18 GA MB	7	
1-12	47	108358-001	BOLT-SHORTENED	1	
1-12	48	93412-001	RETARDER - TWINE SNAP	2	
1-12	49	108236-001	CRANK-ACTUATOR	1	
1-12	50	108245-001	ARM-CRANK	1	
1-12	51	90196-001	INSULATOR-PORCELIN 1/2ID	2	
1-12	52	354-014	BOLT-3/8-16X1 1/2"GRADE#5 HEX	1	

TWINE TIE ASSEMBLY (SER. NO. 101-312)(5400 ONLY)(CONT.)

Figure 1-12



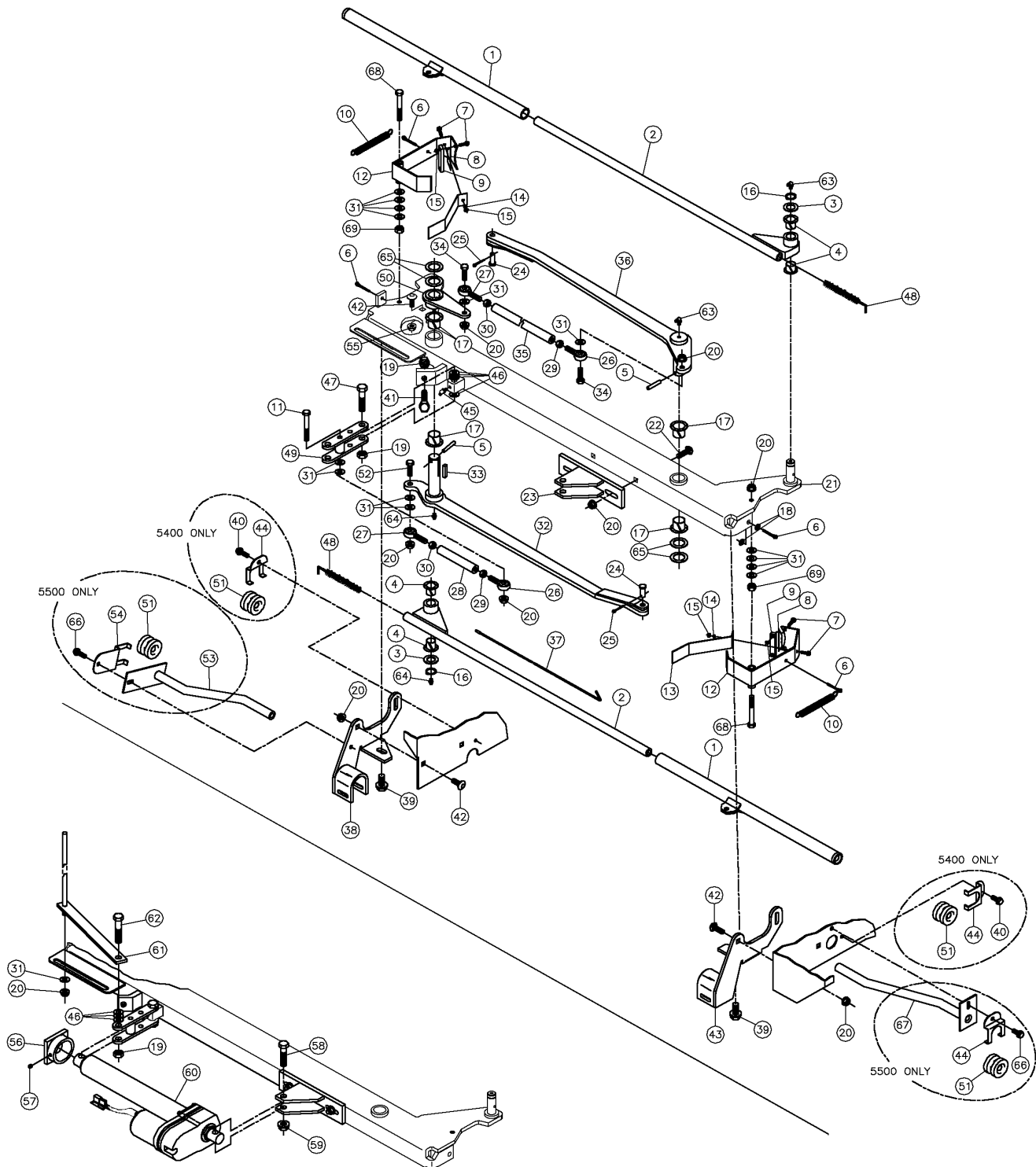
## TWINE TIE ASSEMBLY (SER. NO. 101-312) (5400 ONLY) (CONT.)

Figure 1-12

<u>REF. NO.</u>	<u>PART NO.</u>	<u>DESCRIPTION</u>	<u>QTY.</u>	<u>SERIAL NO.</u>	<u>REMARKS</u>
1-12 53	350-006	BOLT-14-20X3/4" GR. 5 HEX	4		
1-12 54	75976-001	HARNESS-TWINE TIE WIRING (BREAKDOWN FIG. 1-22)	1		
1-12 55	76174-001	BRACKET-SWITCH BOX MOUNT	1		
1-12 56	480-003	WASHER-1/4 S/T LOCK	4		
1-12 57	401-001	NUT-1/4 NC HEX	4		
1-12 58	358-022	BOLT-1/2-13X2 1/4" GR. 5 HEX	1		
1-12 59	1809-001	NUT-1/2-13 SM FLG TL	1		
1-12 60	95892-001	ACTUATOR-8" STROKE	1		
	68234-003	MOTOR FOR ACTUATOR	1		
	68234-011	COVER TUBE REPLACEMENT	1		
	68234-007	REAR HOUSING REPLACEMENT	1		
	68234-019	GASKET-ACTUATOR	1		
	68234-009	SEALING KIT	1		
1-12 61	508025-001	INDICATOR-TWINE TIE	1		
1-12 62	358-024	BOLT-1/2-13X2 1/2" GR. 5 HEX	1		

TWINE TIE ASSEMBLY (5400 SER. NO. 313 & UP & 5500)

Figure 1-12



## TWINE TIE ASSEMBLY (5400 SER. NO. 313 &amp; UP &amp; 5500)

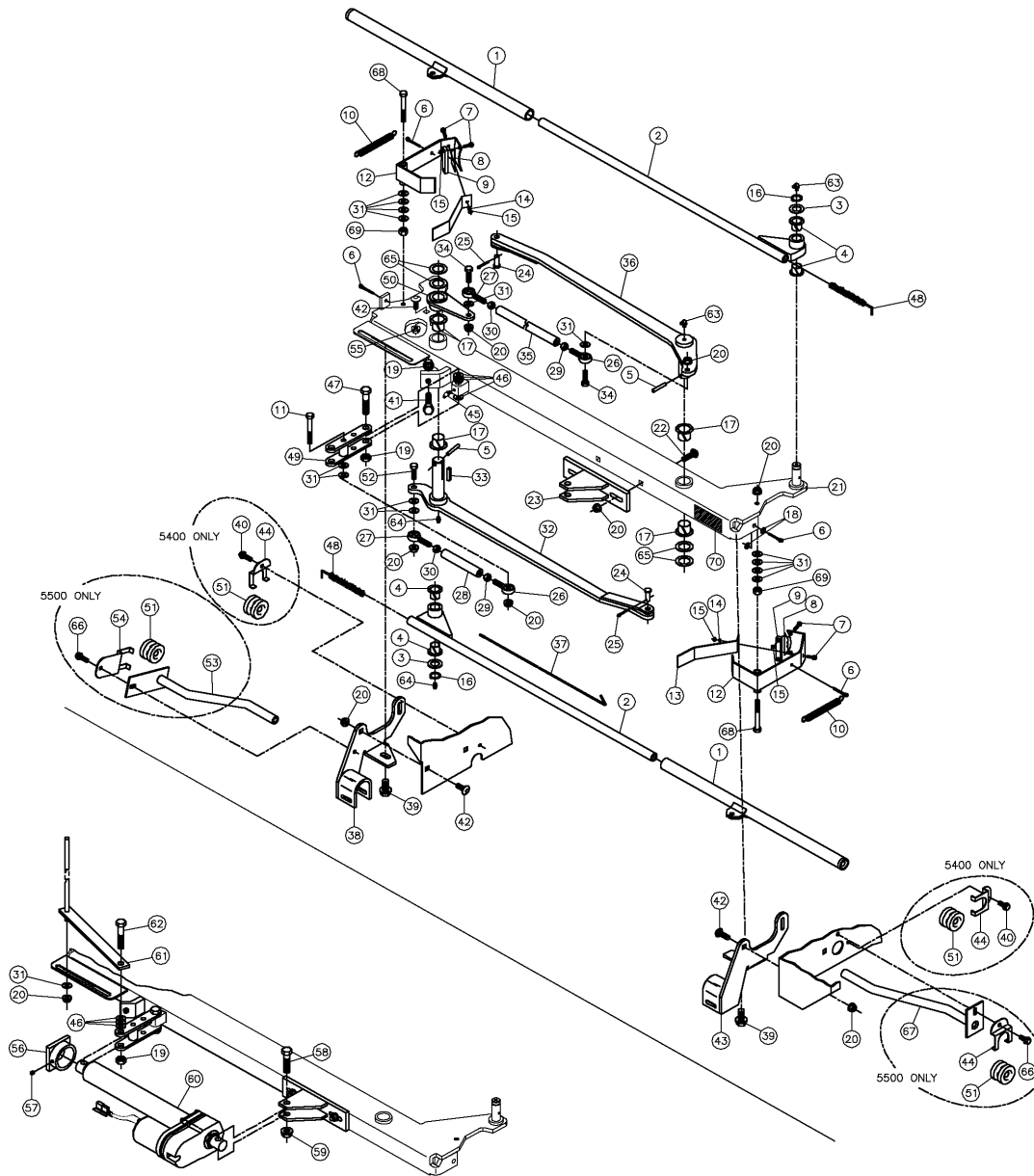
Figure 1-12

REF. NO.	PART NO.	DESCRIPTION	QTY.		SERIAL NO.		REMARKS
			5400	5500	5400	5500	
1-12	1	108256-001	2	2			
1-12	2	500488-001	2	2			
1-12	3	483-071	2	2			
1-12	4	209-001	4	4			
1-12	5	1788-001	2	2			
1-12	6	510-021	4	4			
1-12	7	104209-001	6	6			
1-12	8	104196-001	2	2			
1-12	9	75965-001	2	2			
1-12	10	1789-017	2	2			
1-12	11	354-030	3	3			
1-12	12	108232-001	2	-			
		509201-001	-	2			
1-12	13	108224-001	2	-			
		108225-001	2	2			
1-12	14	480-001	2	2			
1-12	15	400-001	6	6			
1-12	16	509349-001	2	2			
1-12	17	209-003	4	4			
1-12	18	485-001	2	2			
1-12	19	422-001	3	3			
1-12	20	1809-003	13	13			
1-12	21	508027-001	1	-			
		508181-001	-	1			
1-12	22	375-012	2	2			
1-12	23	108248-001	1	1			
1-12	24	2110-037	2	2			
1-12	25	510-013	2	2			
1-12	26	121111-005	2	2			
1-12	27	1492-001	2	2			
1-12	28	121112-003	1	1			
		121112-001					
		(INC.REF. 26,27,28,29,& 30)	1	1			
1-12	29	121111-007	2	2			
1-12	30	446-001	2	2			
1-12	31	489-009	A/R	A/R			
1-12	32	509235-001	1	-			
		509237-001	-	1			
1-12	33	578-003	1	1			
1-12	34	354-012	2	2			
1-12	35	121132-003	1	-			
		121132-001					
		(INC.REF. 26,27,29,30,&35)	1	-			
		121111-003	-	1			
		121111-001					
		(INC.REF. 26,27,29,30,&35)	-	1			
1-12	36	119083-001	1	-			
		119084-001	-	1			
1-12	37	91405-001	1	1			
1-12	38	505992-001	1	1			
1-12	39	4471-010	2	2			
1-12	40	352-004	2	2			
1-12	41	358-014	1	1			
1-12	42	375-010	5	5			
1-12	43	505991-001	1	1			
1-12	44	127428-001	2	1			
1-12	45	596-001	1	1			

TWINE TIE ASSEMBLY (5400 SER. NO. 313 & UP & 5500) (CONT.)

Figure 1-12

SER. NO. 313 & UP





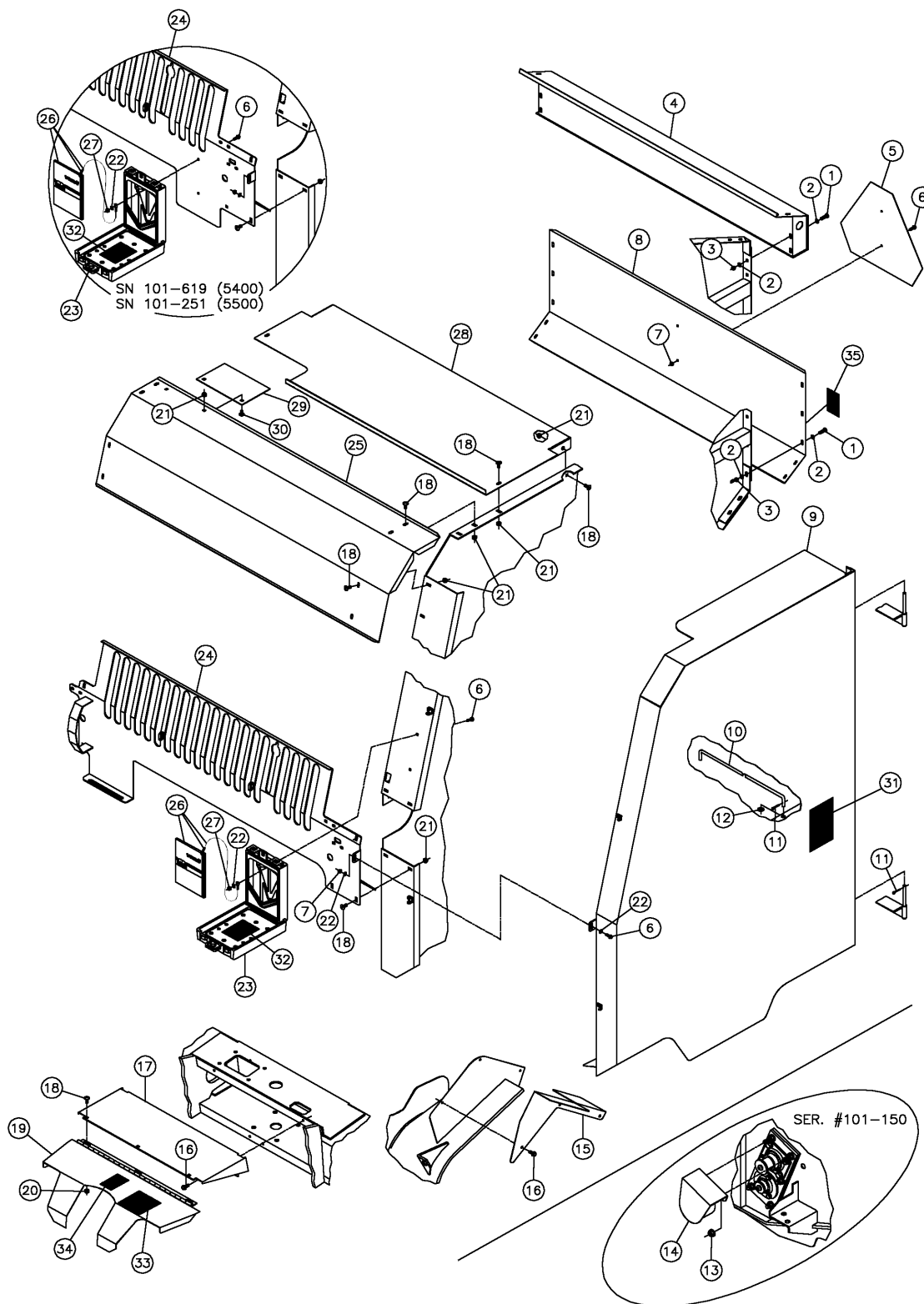
## TWINE TIE ASSEMBLY (5400 SER. NO. 313 &amp; UP &amp; 5500) (CONT.)

Figure 1-12

REF. NO.	PART NO.	DESCRIPTION	QTY.		SERIAL NO.		REMARKS
			5400	5500	5400	5500	
1-12 46	4542-005	WSHR-7/8OD X1/2ID X18 GA MB	7	7			
1-12 47	108358-001	BOLT-SHORTENED	1	1			
1-12 48	93412-001	RETARDER - TWINE SNAP	2	2			
1-12 49	108236-001	CRANK-ACTUATOR	1	1			
1-12 50	509234-001	ARM-CRANK	1	1			
1-12 51	90196-001	INSULATOR-PORCELIN 1/2ID	2	2			
1-12 52	354-014	BOLT-3/8-16X1 1/2"GRADE#5 HEX	1	1			
1-12 53	127452-001	TWINE GUARD TUBE	-	1			
1-12 54	127403-001	CLIP-INSULATOR MOUNT	-	1			
1-12 55	4536-001	NUT-3/8-16 FLG. WHIZ LOCK	1	1			
1-12 56	510021-001	STOP-ACTUATOR RETRACT	1	1			
1-12 57	523-001	SCREW-SSET-.25-20X.375 PLN-CUP	1	1			
1-12 58	358-022	BOLT-1/2-13X2 1/4" GR. 5 HEX	1	1			
1-12 59	1809-001	NUT-1/2-13 SM FLG TL	1	1			
1-12 60	95892-001	ACTUATOR-8" STROKE	1	1			
	68234-003	MOTOR FOR ACTUATOR	1	1			
	68234-011	COVER TUBE REPLACEMENT	1	1			
	68234-007	REAR HOUSING REPLACEMENT	1	1			
	68234-019	GASKET-ACTUATOR	1	1			
	68234-009	SEALING KIT	1	1			
1-12 61	508025-001	INDICATOR-TWINE TIE	1	-			
	508149-001	INDICATOR-TWINE POSITION 5'	-	1			
1-12 62	358-024	BOLT-1/2-13X2 1/2" GR. 5 HEX	1	1			
1-12 63	597-001	ZERK-1/4" NF 90 DEG. GREASE	2	2			
1-12 64	598-001	ZERK-1/4" NF ST GREASE	2	2			
1-12 65	483-069	WASHER-1 1/2X1-14 GA. ZINC PLATED	4	4			
1-12 66	21294-006	BOLT-5/16-18X3/4" ST-WHD GR. 8 HEX	-	2			
1-12 67	127451-001	TWINE GUARD TUBE	-	1			
1-12 68	510302-032	SCREW-HCS-.38-16X3.25-GR5-YZ	2	2			
1-12 69	510315-411	NUT-HEXFLGL-.38-16-GR2-YZ	2	2			
1-12 70	7000B-749	DECAL - WARNING	2	2			

### SHIELDS ASSEMBLY

Figure 1-13



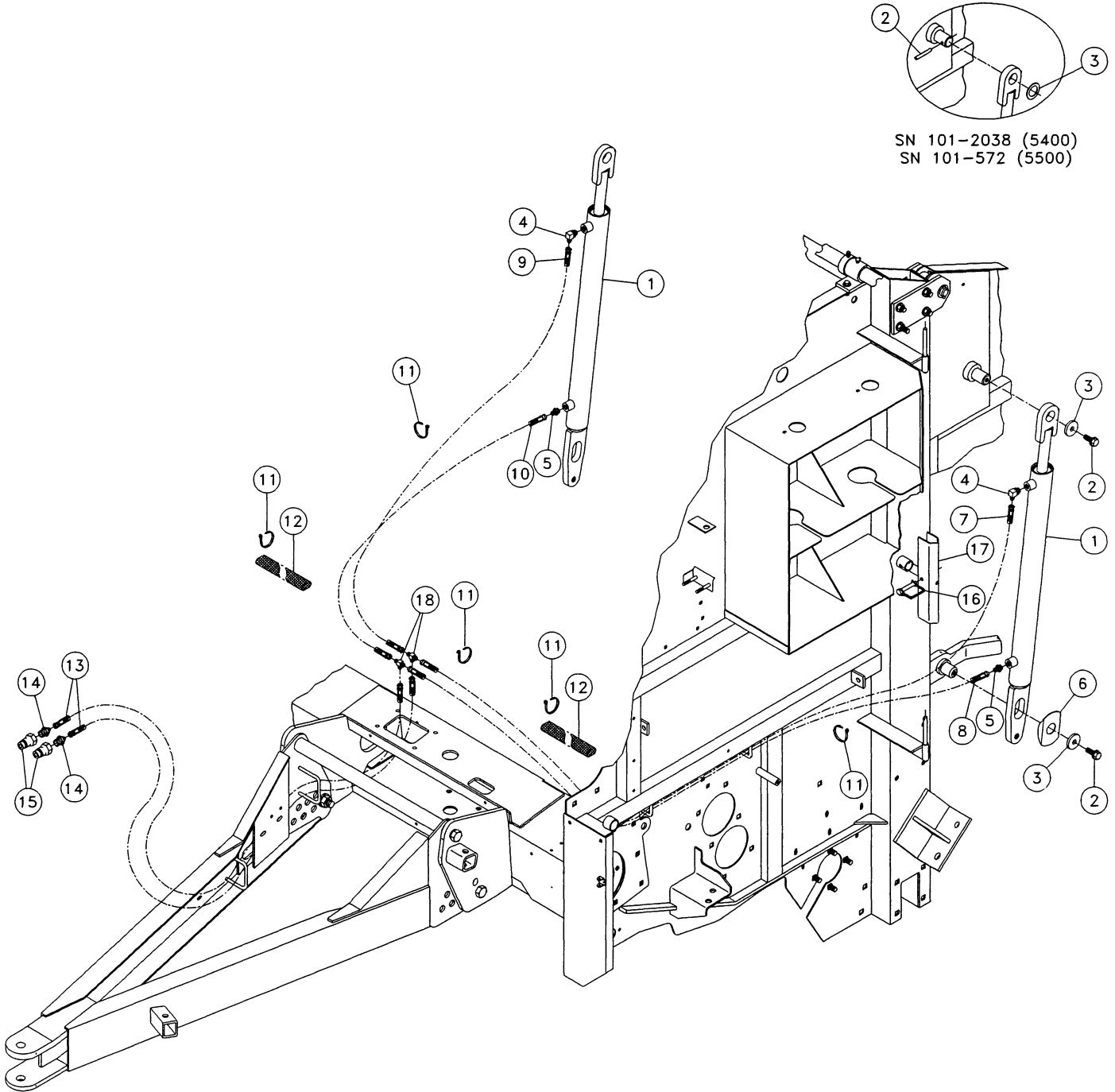
## SHIELDS ASSEMBLY

Figure 1-13

REF. NO.	PART NO.	DESCRIPTION	QTY.		SERIAL NO.		REMARKS
			5400	5500	5400	5500	
1-13	1	351-010	18	18			
1-13	2	111535-001	36	36			
1-13	3	409-001	18	18			
1-13	4	127470-001	1	-	101-1066		
		510500-272	1	-	1067 & UP		
		127473-001	-	1		101-419	
		510500-275	-	1		420 & UP	
1-13	5	1836-001	1	1			
1-13	6	4473-006	5	5			
1-13	7	405-001	3	3			
1-13	8	79925-001	1	-			
		86244-001	-	1			
1-13	9	507920-001	1	1			
1-13	10	507949-001	1	1			
1-13	11	510-009	2	2			
1-13	12	485-007	1	1			
1-13	13	1809-001	2	-	101-150		
1-13	14	508072-001	1	-	101-150		
1-13	15	508040-001	1	1			
1-13	16	21294-006	5	5			
1-13	17	123734-001	1	1			
1-13	18	374-006	20	20			
1-13	19	131805-001	1	1			
1-13	20	1809-007	3	3			
1-13	21	510314-401	19	19			
1-13	22	485-003	4	4			
1-13	23	142410-001	1	1			
1-13	24	508022-001	1	-	101-619		
		508136-001	-	1		101-251	
		510002-001	1	-	620 & UP		
		510004-001	-	1		252 & UP	
1-13	25	507946-001	1	-			
		508133-001	-	1			
1-13	26	507995-001	1	1			
1-13	27	1809-005	2	2			
1-13	28	510502-310	1	-	2388&UP		
		510502-311	-	1		691&UP	
1-13	29	509848-001	1	1			
1-13	30	510308-104	1	1			
1-13	31	7000B-218	2	2			
1-13	32	2326-940	1	1			
1-13	33	70000-253	1	1			
1-13	34	7000B-192	1	1			
1-13	35	7000B-189	1	1			

TAILGATE HYDRAULICS ASSEMBLY

Figure 1-14



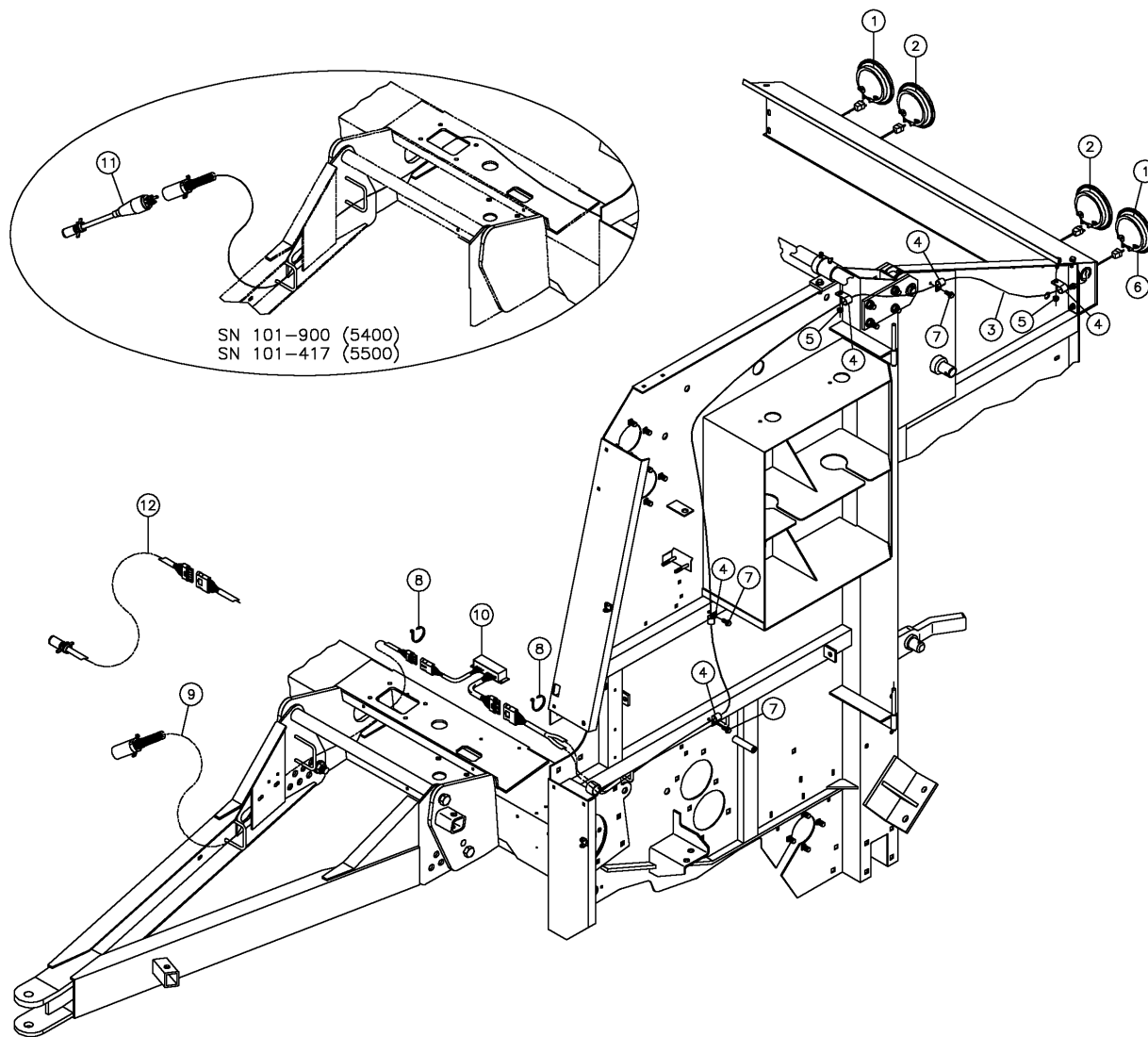
## TAILGATE HYDRAULICS ASSEMBLY

Figure 1-14

REF. NO.	PART NO.	DESCRIPTION	QTY.		SERIAL NO.		REMARKS
			5400	5500	5400	5500	
1-14 1	126972-001	CYLINDER - 2 X 22 (BREAKDOWN FIG. 1-23)	2	2		101-566	
	510500-327	CYLINDER - 2 X 24.50 (BREAKDOWN FIG. 1-23)	-	2		567&UP	
1-14 2	510342-805	PIN - EXPANSION 5/16 X 2 1/4-YZ	4	4	101-2038	101-572	
	510343-210	SCREW-FLGWZ-.50-13X1.00-GR5-YZ-HWH	4	4	2039&UP	573&UP	
1-14 3	510336-667	WASHER-MCHBSHG-1.25-1.28X1.88-14G-YZ	2	2	101-2038	101-572	
	510361-621	WASHER-FLATWRT-.50-.53X1.75-.25-YZ	4	4	2039&UP	573&UP	
1-14 4	57950-001	FITTING-6M X 4 JIC 90 DEG.	2	2			
1-14 5	57968-001	FITTING-6M O-RING 4M JIC STR.	2	2			
1-14 6	69473-001	COVER-CYLINDER	2	2			
1-14 7	53843-489	HOSE-1/4X100 4FS JIC 3000 PSI	1	-			
	53843-203	HOSE-1/4X106 4FS JIC 3000 PSI	-	1			
1-14 8	53843-611	HOSE-1/4X78 4FS JIC 3000 PSI	1	-			
	53843-485	HOSE-1/4X84 4FS JIC 3000 PSI	-	1			
1-14 9	53843-121	HOSE-1/4X88 4FS JIC 3000 PSI	1	-			
	53843-065	HOSE-1/4X92 4FS JIC 3000 PSI	-	1			
1-14 10	53843-007	HOSE-1/4X66 4FS JIC 3000 PSI	1	-			
	53843-609	HOSE-1/4X73 4FS JIC 3000 PSI	-	1			
1-14 11	59634-001	NYLON TIE 8"	7	7			
1-14 12	66094-001	CORDURA SLEEVE-.090 WALL 1.22 DIA.	2'	2'			
1-14 13	53843-245	HOSE-1/4X116 4FS JIC 3000 PSI	2	2			
1-14 14	53657-001	FITTING-8M OR X 4M JIC ST.	2	2			
1-14 15	500085-001	COUPLER-MALE, 1/2" ORB. POPPET	2	2			
1-14 16	2109-003	PIN LOCKING - 3/8 X 2 1/4	2	2			
1-14 17	75801-001	STOP-CYLINDER	2	2			
1-14 18	54387-001	FITTING-#4M JIC UNION TEE	2	2			

TAILLIGHTS/WIRE HARNESS ASSEMBLY

Figure 1-15



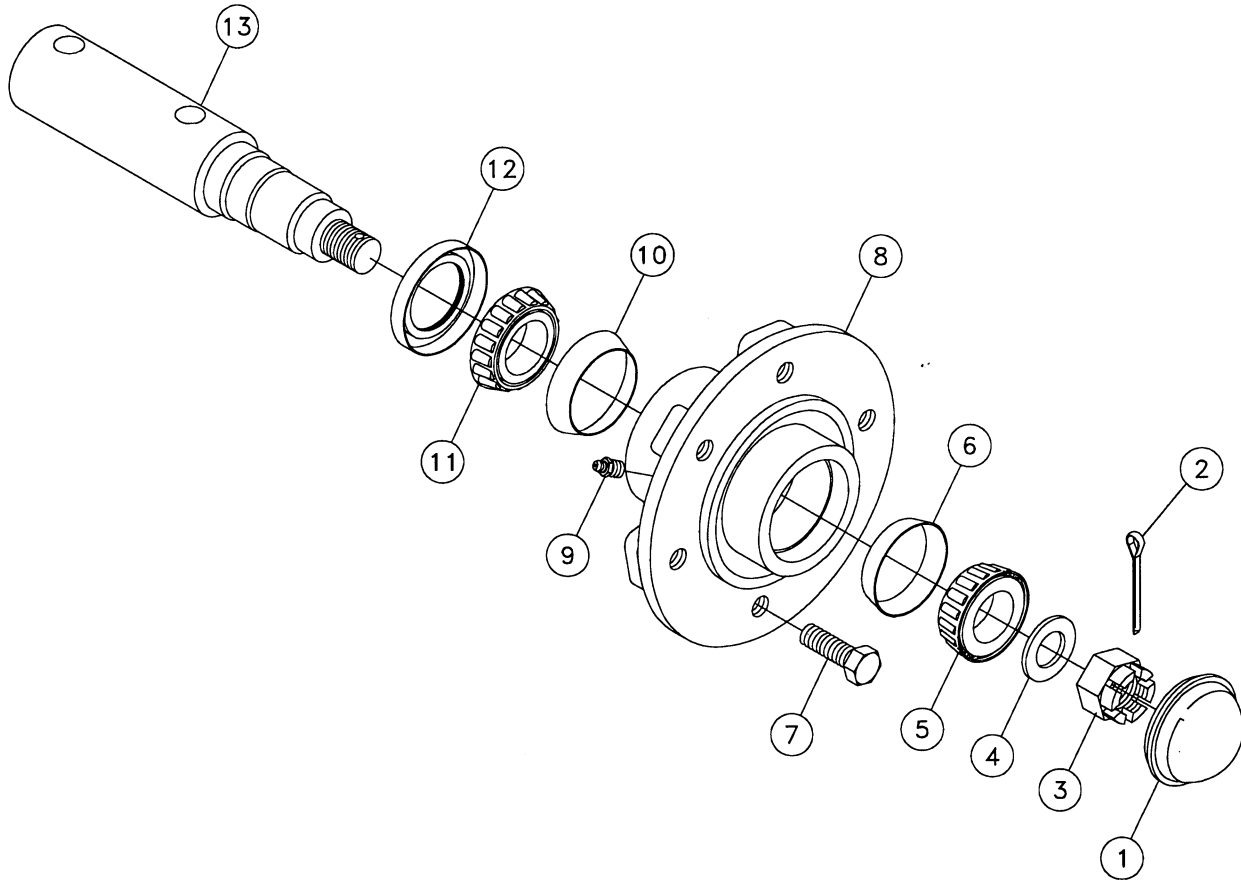
## TAILLIGHTS/WIRE HARNESS ASSEMBLY

Figure 1-15

REF. NO.	PART NO.	DESCRIPTION	QTY.		SERIAL NO.		REMARKS
			5400	5500	5400	5500	
1-15	1	127444-001	2	2			
1-15	2	127445-001	2	2			
1-15	3	127446-001	1	1	101-900	101-417	
		509052-001	1	1	901 & UP	418 & UP	
1-15	4	2595-001	5	5			
1-15	5	510352-507	2	2			
1-15	6	127469-001	4	4			
1-15	7	510377-006	2	2			
1-15	8	59634-001	3	3			
1-15	9	508337-001	1	1	901 & UP	418 & UP	
1-15	10	508920-001	1	1	901 & UP	418 & UP	
1-15	11	500083-001	1	1	101-900	101-417	OPTIONAL
1-15	12	509053-001	1	1	901 & UP	418 & UP	OPTIONAL

HUB AND SPINDLE COMPONENTS

Figure 1-16

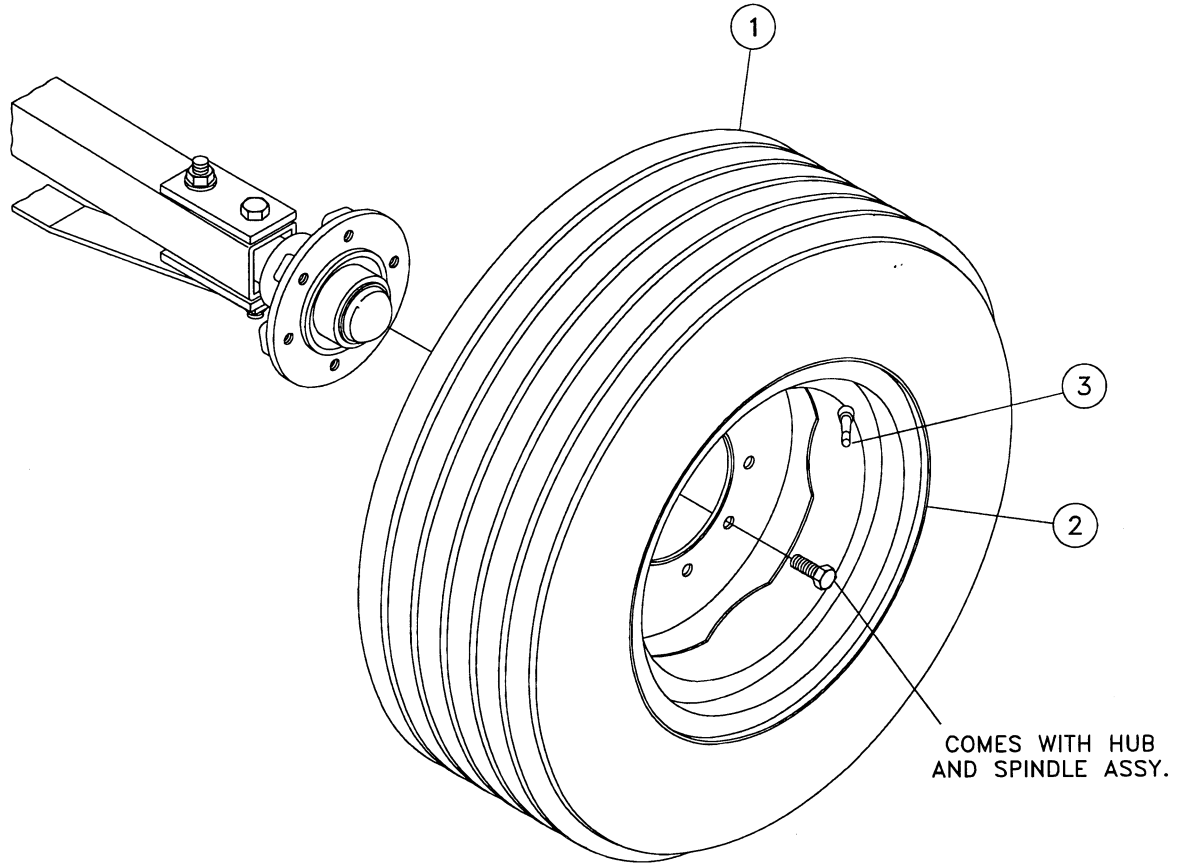


REF. NO.	PART NO.	DESCRIPTION	QTY.		SERIAL NO.		REMARKS
			5400	5500	5400	5500	
1-16	1	1656-005	1	1			
1-16	2	510-015	1	1			
1-16	3	459-001	1	1			
1-16	4	1657-003	1	1			
1-16	5	1716-147	1	1			
1-16	6	1715-045	1	1			
1-16	7	1823-001	6	6			
1-16	8	1656-001	1	1			
1-16	9	586-001	1	1			
1-16	10	1715-049	1	1			
1-16	11	1716-051	1	1			
1-16	12	1820-001	1	1			
1-16	13	102757-001	1	1			
	1656-003	HUB-Q888 6 BOLT W/BRG CUPS (INC. REF. 6, 8 & 10)					
	69974-001	HUB ASSEMBLY-6 BOLT (MODIFIED)(INC. REF. 6 & 8-10)					
	69975-001	HUB ASSEMBLY-6 BOLT (COMP.)(MODIFIED) (INC. REF. 1 & 5-12)					
	507961-001	HUB AND SPINDLE ASSEMBLY (INC. REF. 1-13)					



TIRE AND WHEEL ASSEMBLY

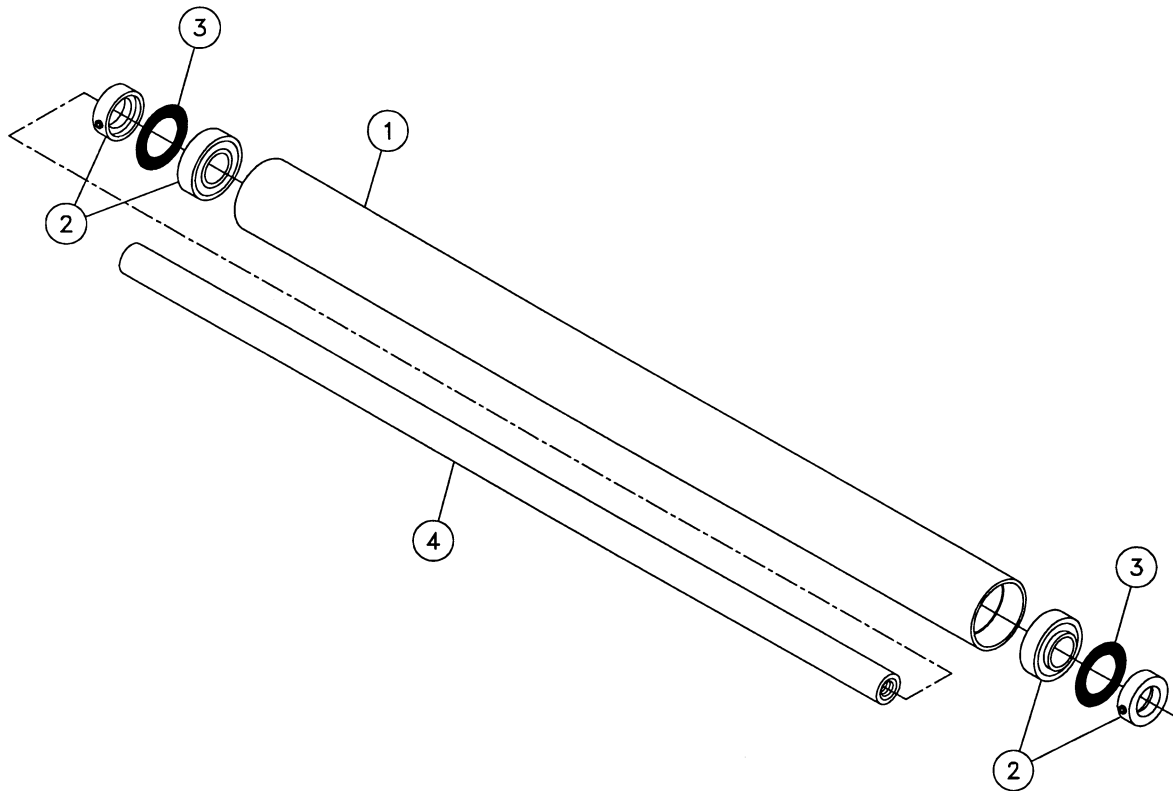
Figure 1-17



REF. NO.	PART NO.	DESCRIPTION	QTY		SERIAL NO.		REMARKS
			5400	5500	5400	5500	
1-17	1	1821-001	TIRE-11 L-15 FLOTATION	1	-		
		75847-001	TIRE-31X13.50-15LT	-	1		
1-17	2	1822-001	RIM-15X8 6-BOLT	1	-		
		75848-001	RIM-15X10 LBH	-	1		
1-17	3	2250-001	STEM-TR415 DILL VALVE	1	1		
	109490-001	WHL.ASSY-11 L-15 FLT 15X8 6-BOLT (INC. REF. 1-3)(5400)					
	109521-001	WHL.ASSY-31X13.50-15-10 6-BOLT (INC. REF. 1-3)(5500)					

SHORT IDLER ROLLER COMPONENTS

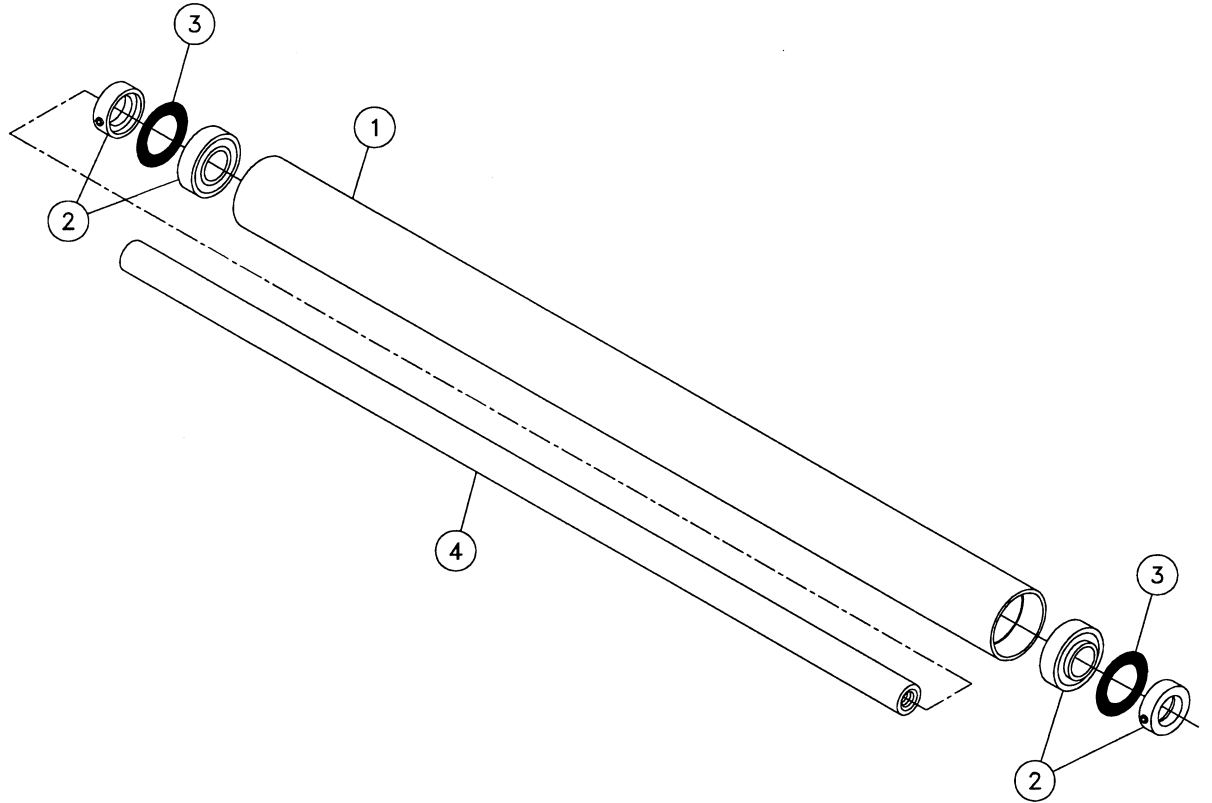
Figure 1-18



REF. NO.	PART NO.	DESCRIPTION	QTY		SERIAL NO.		REMARKS
			5400	5500	5400	5500	
1-18	1	508183-001	1	-			
		508113-001	-	1			
1-18	2	215-003	2	2			
1-18	3	121838-001	2	2			
1-18	4	71288-001	1	-			
1-18	4	69109-001	-	1			
		508182-001					ROLLER-SHORT 3 1/2" IDLER 4' (INC. REF. 1-4)(5400)
		508114-001					ROLLER-SHORT 3 1/2" IDLER 5' (INC. REF. 1-4)(5500)

LONG IDLER ROLLER COMPONENTS

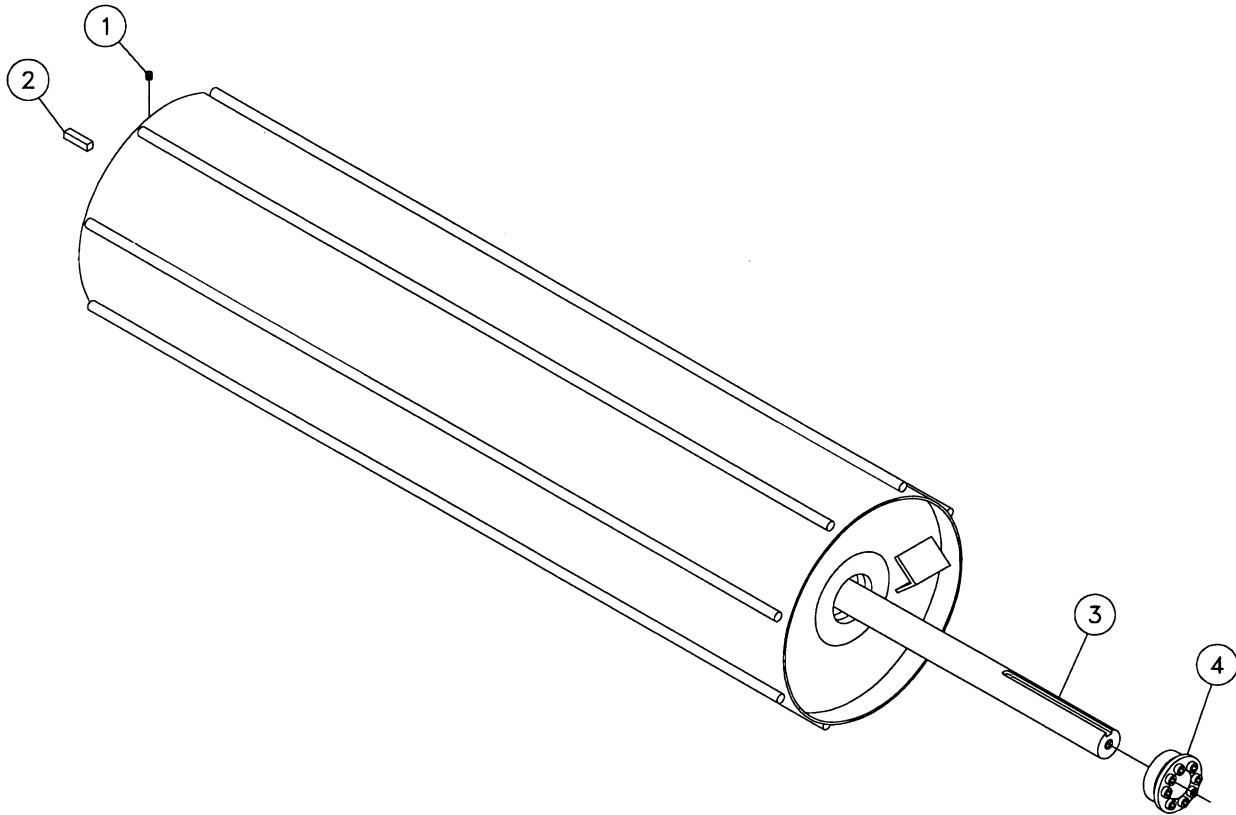
Figure 1-19



REF. NO.	PART NO.	DESCRIPTION	QTY		SERIAL NO.		REMARKS
			5400	5500	5400	5500	
1-19	1	127480-001	1	-			
		127483-001	-	1			
1-19	2	215-003	2	2			
1-19	3	121838-001	2	2			Not used on Ref. 12, Fig. 1-7
1-19	4	71291-001	1	-			
		69112-001	-	1			
		127479-001					ROLLER-LONG 3 1/2" IDLER 4' (INC. REF. 1-4)(5400)
		127482-001					ROLLER-LONG 3 1/2" IDLER 5' (INC. REF. 1-4)(5400)

DRUM ROLLER COMPONENTS

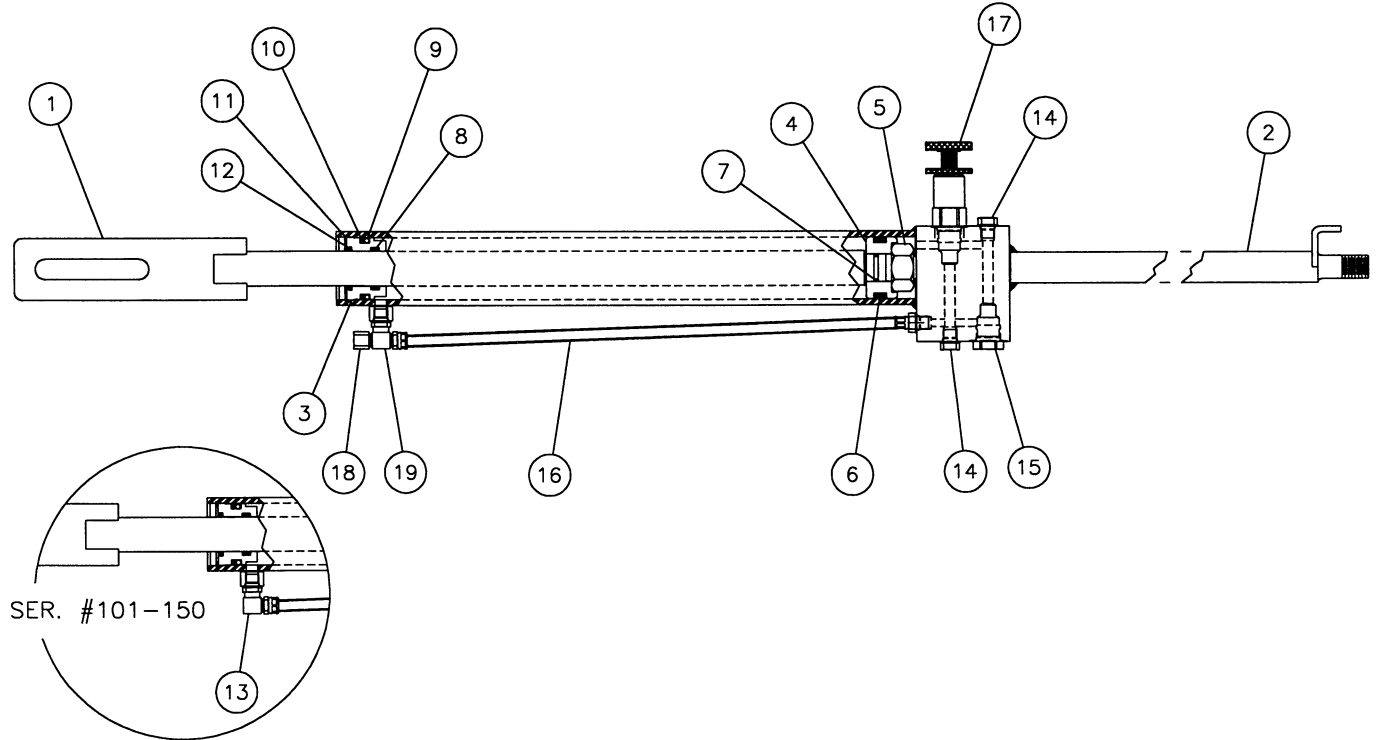
Figure 1-20



REF. NO.	PART NO.	DESCRIPTION	QTY		SERIAL NO.		REMARKS
			5400	5500	5400	5500	
1-20	1	5531-001	SSS-5/16-18X1/2	1	1		
1-20	2	579-005	HKEYS-3/8X3/8-1 1/2	1	1		
1-20	3	508068-001	SHAFT-4' DRUM ROLLER	1	-		
		508130-001	SHAFT-5' DRUM ROLLER	-	1		
1-20	4	501475-001	BUSHING-1 1/2 KEYLESS	1	1		
	508070-001	DRUM ROLLER-4' W/TAPPED ENDS (INC. REF. 1-4)(5400)					
	508132-001	DRUM ROLLER-5' W/TAPPED ENDS (INC. REF. 1-4)(5500)					

BELT TENSIONING CYLINDER COMPONENTS

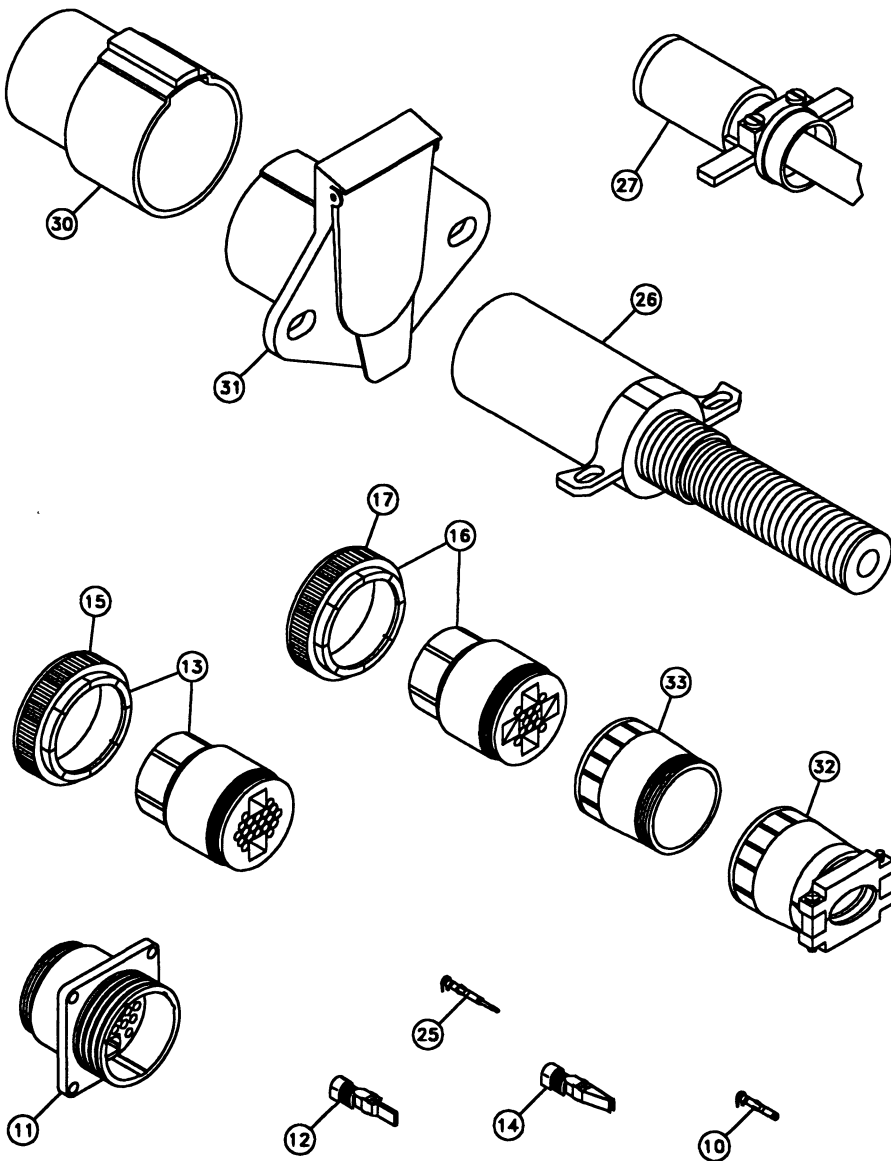
Figure 1-21



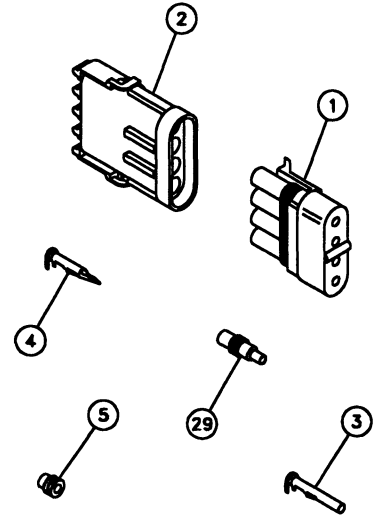
REF. NO.	PART NO.	DESCRIPTION	QTY.		SERIAL NO.		REMARKS
			5400	5500	5400	5500	
1-21	1	508030-001	ROD-CYLINDER PISTON	1	1		
1-21	2	508029-001	CYLINDER-BELT TIGHTENER	1	1		
1-21	3	53168-001	GLAND-CYLINDER	1	1		
1-21	4	53167-001	PISTON-CYLINDER	1	1		
1-21	5	330-011	NUT-7/8-14 SLTL GR. C	1	1		
1-21	6	52919-001	UNI-RING	1	1		
1-21	7	208-007	O-RING	1	1		
1-21	8	19511-001	U-PACK	1	1		
1-21	9	51181-001	O-RING	1	1		
1-21	10	52920-001	WASHER	1	1		
1-21	11	602-200	SNAP RING	1	1		
1-21	12	19512-001	ROD WIPER	1	1		
1-21	13	59423-001	FITTING-4M JICX4M ADJ. 90 DEG. ELBOW	1	-	101-150	
1-21	14	67263-001	PLUG-4M	2	2		
1-21	15	228128-017	CHECK VALVE	1	1		
		230843-017	SEAL KIT	1	1		
1-21	16	508036-001	HOSE-1/4X17 4FS JIC 4M ORB.	1	1		
1-21	17	508037-001	VALVE-RELIEF 2500 PSI	1	1		
		230843-017	SEAL KIT	1	1		
1-21	18	61664-001	CAP NUT-#4 JIC	1	1	151 & UP	
1-21	19	81343-001	FITTING-4M (BCH) X4M JICX4M JIC TEE	1	1	151 & UP	
		508028-001	CYLINDER-BELT TENSIONING (INCLUDES REF. 1-17)				
		56651-001	REPAIR KIT-CYLINDER (2" BORE VERMEER) (INCLUDES REF. 6-12)				

ELECTRICAL COMPONENTS

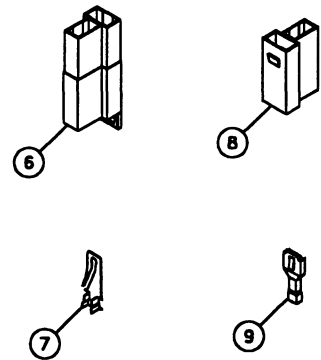
Figure 1-22



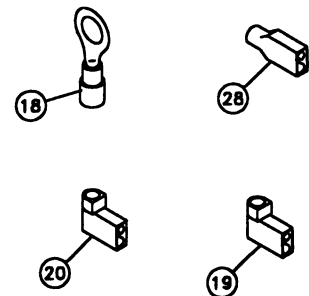
HARNES CONNECTORS



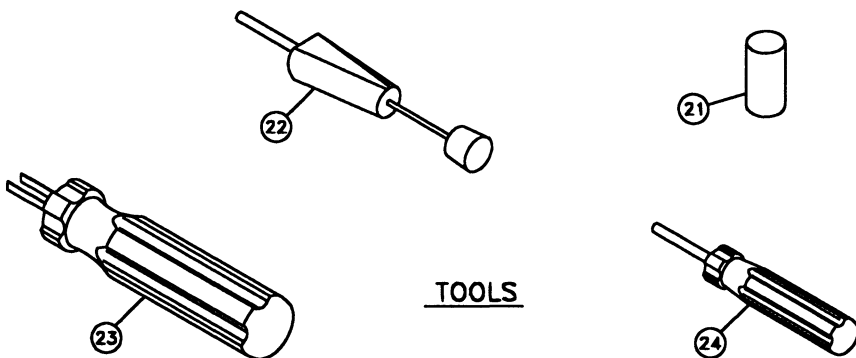
TWINE TIE HARNES CONNECTORS



WIRE CONNECTORS



TOOLS



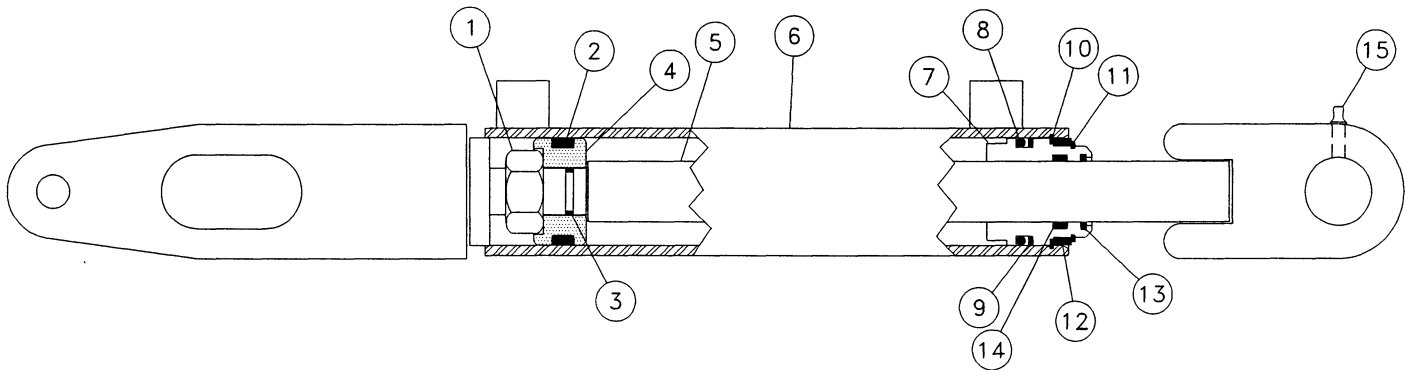
## ELECTRICAL COMPONENTS

Figure 1-22

REF. NO.	PART NO.	DESCRIPTION	QTY.		SERIAL NO.		REMARKS
			5400	5500	5400	5500	
1-22	1	91344-001	1	1			
		114379-001	1	1			
1-22	2	79981-001	1	1			
		114381-001	1	1			
1-22	3	87702-001	1	1			
1-22	4	79982-001	1	1			
1-22	5	79983-001	1	1			
1-22	6	59705-001	1	1			
1-22	7	87358-001	1	1			
1-22	8	59704-001	1	1			
1-22	9	87359-001	1	1			
1-22	10	87406-001	1	1			
1-22	11	79988-001	1	1			
1-22	12	79989-001	1	1			
1-22	13	86672-001	1	1			
1-22	14	87361-001	1	1			
1-22	15	69384-003	2	2			
1-22	16	507811-001	1	1			
1-22	17	507811-003	1	1			
1-22	18	4716-001	1	1			
1-22	19	87410-001	1	1			
1-22	20	87408-001	1	1			
1-22	21	87360-001	1	1			
1-22	22	83135-001	1	1			
1-22	23	87351-001	1	1			
1-22	24	83137-001	1	1			
1-22	25	87405-001	1	1			
1-22	26	109608-003	1	1			
1-22	27	1463-001	1	1			
1-22	28	18989-001	1	1			
1-22	29	501670-001	1	1			
1-22	30	500082-001	1	1			
1-22	31	500081-001	1	1			
1-22	32	510032-001	1	1			
1-22	33	510033-001	1	1			

CYLINDER COMPONENTS - 2" X 22"

Figure 1-23



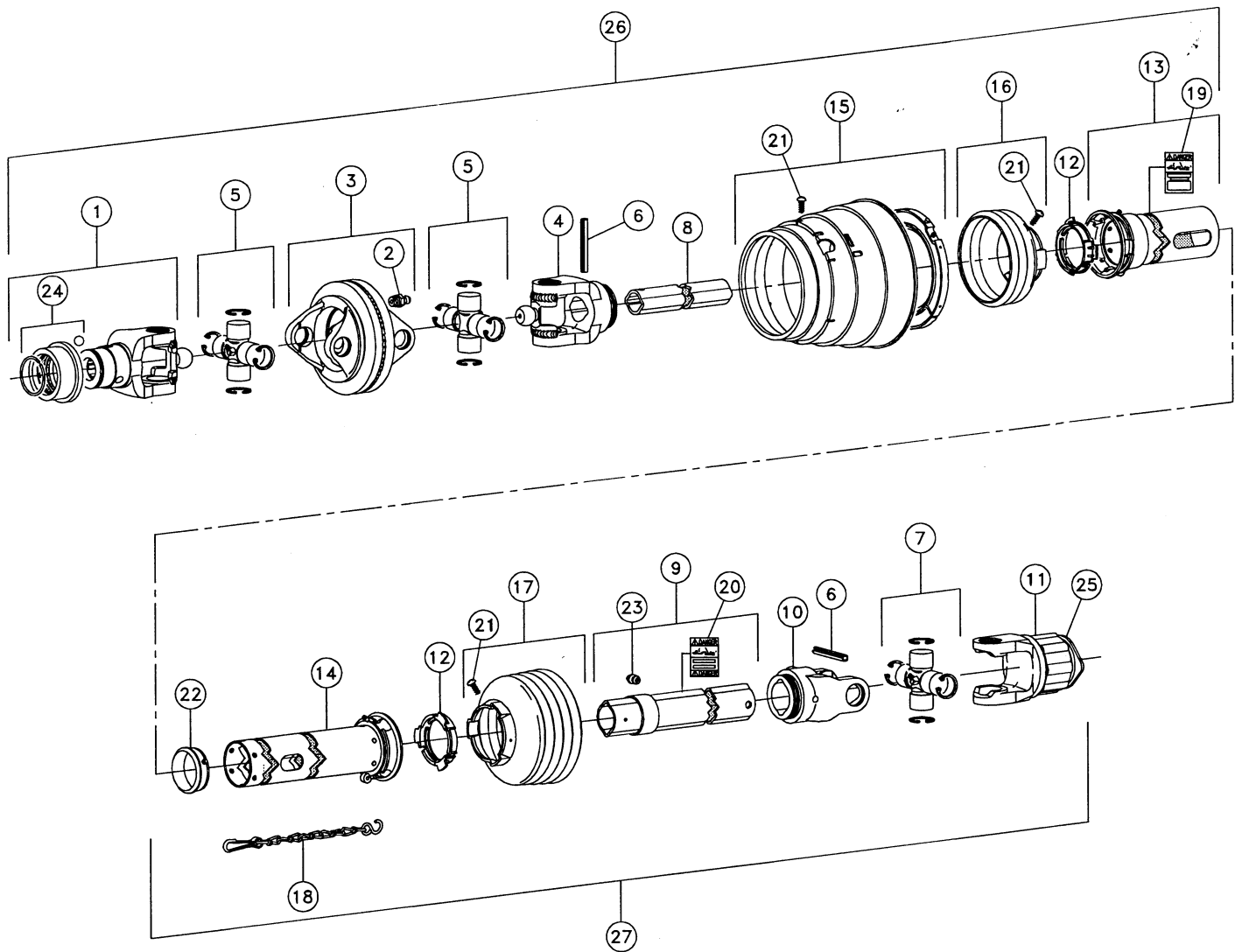
REF. NO.	PART NO.	DESCRIPTION	QTY		SERIAL NO.		REMARKS
			5400	5500	5400	5500	
1-23	1	330-011	1	1			
1-23	2	52919-001	1	1			
1-23	3	208-007	1	1			
1-23	4	53167-001	1	1			
1-23	5	127414-001	1	1		101-566	
1-23	5	510500-323	-	1		567&UP	
1-23	6	126973-001	1	1		101-566	
1-23	6	510500-321	-	1		567&UP	
1-23	7	106991-001	1	1			
1-23	8	51181-001	1	1			
1-23	9	52920-001	1	1			
1-23	10	106997-001	1	1			
1-23	11	106998-001	1	1			
1-23	12	119212-001	1	1			
1-23	13	19512-001	1	1			
1-23	14	19511-001	1	1			
1-23	15	26687-001	1	1			
	126972-001	CYLINDER-2X22 (INC. REF. 1-15)				101-566	
	510500-327	CYLINDER - 2 X 24.50 (INC. REF. 1-15)				567&UP	
	107620-001	SEAL KIT (INC. REF. 2, 3, 8-11, 13 & 14)					



**THIS PAGE INTENTIONALLY LEFT BLANK.**

DRIVELINE COMPONENTS

Figure 1-24



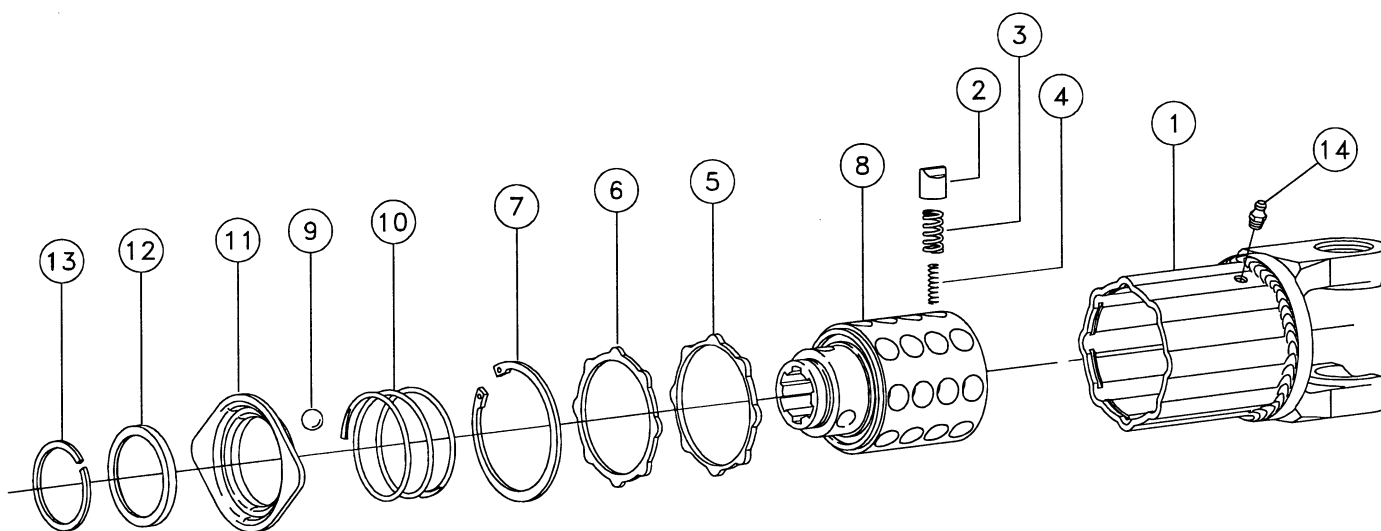
## DRIVELINE COMPONENTS

Figure 1-24

REF. NO.	PART NO.	DESCRIPTION	QTY.		SERIAL NO.		REMARKS
			5400	5500	5400	5500	
1-24	1	75814-039	YOKE-1 3/8"-6 SPLINE ASS'Y	1	1		
1-24	2	65450-001	ZERK-GREASE	1	1		
1-24	3	75814-037	DOUBLE YOKE	1	1		
1-24	4	75814-033	INBOARD YOKE OV	1	1		
1-24	5	75814-035	CROSS & BEARING KIT	2	2		
1-24	6	25480-001	SPRING PIN 10X65	2	2		
1-24	7	17557-009	CROSS & BEARING KIT	1	1		
1-24	8	507959-003	INNER PROFILE OVGA	1	1		
1-24	9	507959-005	PROFILE & SLEEVE W.A.	1	1		
1-24	10	25483-001	INBOARD YOKE	1	1		
1-24	11	507959-007	RADIAL PIN CLUTCH (BREAKDOWN FIG. 1-25)	1	1		
1-24	12	75814-019	BEARING RING SC15	2	2		
1-24	13	507959-009	OUTER SHIELD TUBE OVL	1	1		
1-24	14	507959-011	INNER SHIELD TUBE RND	1	1		
1-24	15	507959-013	CV CONE & BEARING ASS'Y	1	1		
1-24	16	507959-015	SHIELD CONE 3 RIB	1	1		
1-24	17	507959-017	SHIELD CONE 5 RIB	1	1		
1-24	18	17557-039	SAFETY CHAIN	1	1		
1-24	19	2326-902	DECAL-DANGER	1	1		
1-24	20	70000-108	DECAL-DANGER	1	1		
1-24	21	75814-027	SCREW	8	8		
1-24	22	75814-045	SUPPORT BEARING	1	1		
1-24	23	67943-001	ZERK-GREASE	1	1		
1-24	24	75814-041	Q.D. COLLAR KIT	1	1		
1-24	25	108964-019	Q.D. FLANGE KIT	1	1		
1-24	26	507959-019	MALE HALF SHAFT	1	1		
1-24	27	507959-021	FEMALE HALF SHAFT	1	1		

RADIAL PIN CLUTCH COMPONENTS

Figure 1-25



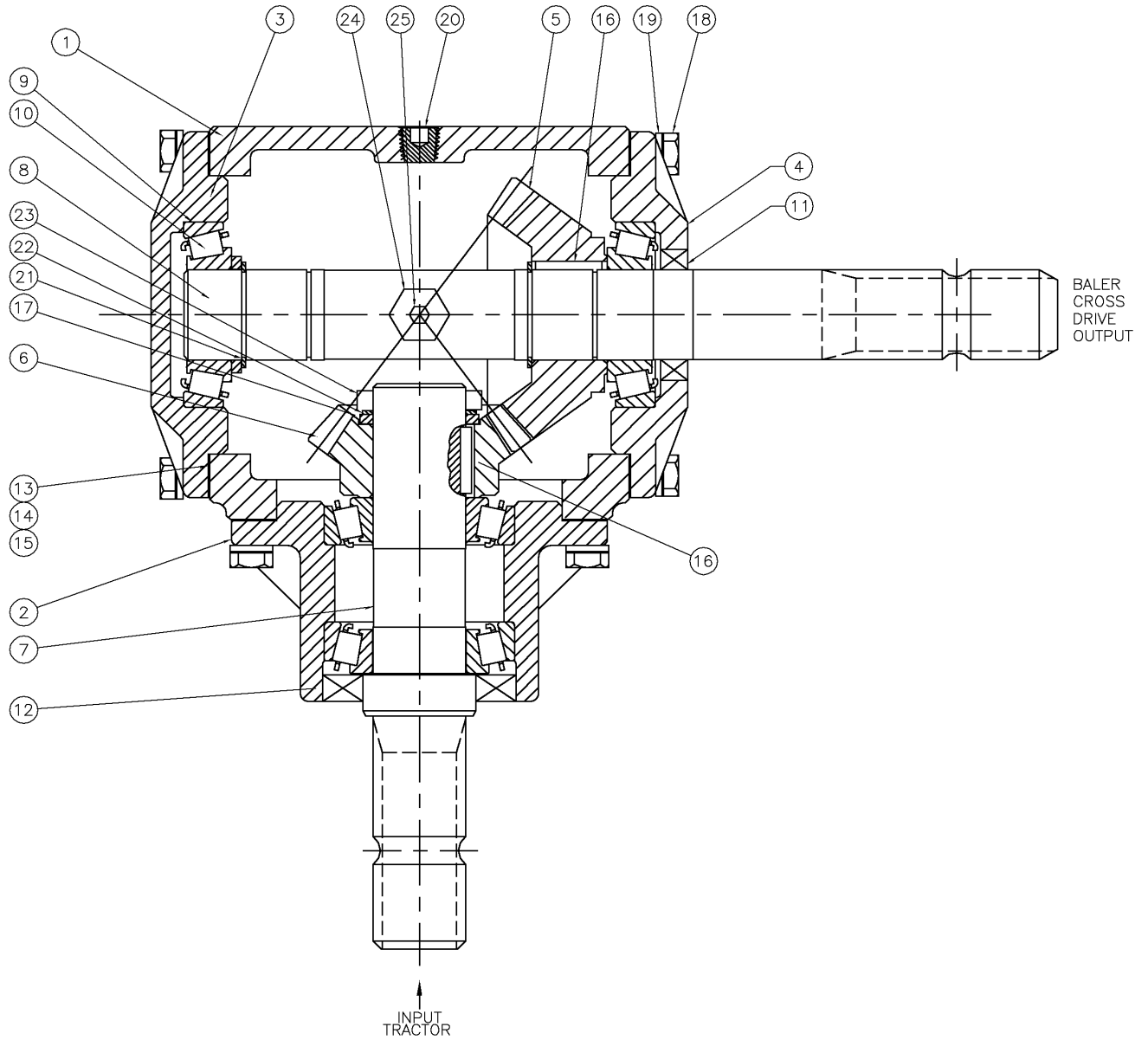
## RADIAL PIN CLUTCH COMPONENTS

Figure 1-25

REF. NO.	PART NO.	DESCRIPTION	QTY.		SERIAL NO.		REMARKS
			5400	5500	5400	5500	
1-26	1	507959-023	HOUSING (INC. REF. 14)	1	1		
1-26	2	68772-009	CAM	32	32		
1-26	3	68772-011	OUTER SPRING	32	32		
1-26	4	68772-013	INNER SPRING	14	14		
1-26	5	507959-027	SEAL RING	1	1		
1-26	6	68772-017	THRUST RING	1	1		
1-26	7	68772-019	RETAINER RING	1	1		
1-26	8	507959-025	HUB-1 3/8" 6SPL QD	1	1		
1-26	9	25551-017	BALL	3	3		
1-26	10	25551-009	COMPRESSION RING	1	1		
1-26	11	25551-007	LOCK COLLAR	1	1		
1-26	12	25551-005	BACK-UP RING	1	1		
1-26	13	25551-003	SNAP RING	1	1		
1-26	14	507959-029	ZERK-8MM GREASE	1	1		
		507959-007	RADIAL PIN CLUTCH COMPONENTS (INC. REF. 1-14)				
		108964-019	QD FLANGE KIT (INC. REF. 9-13)				

GEARBOX COMPONENTS

Figure 1-26



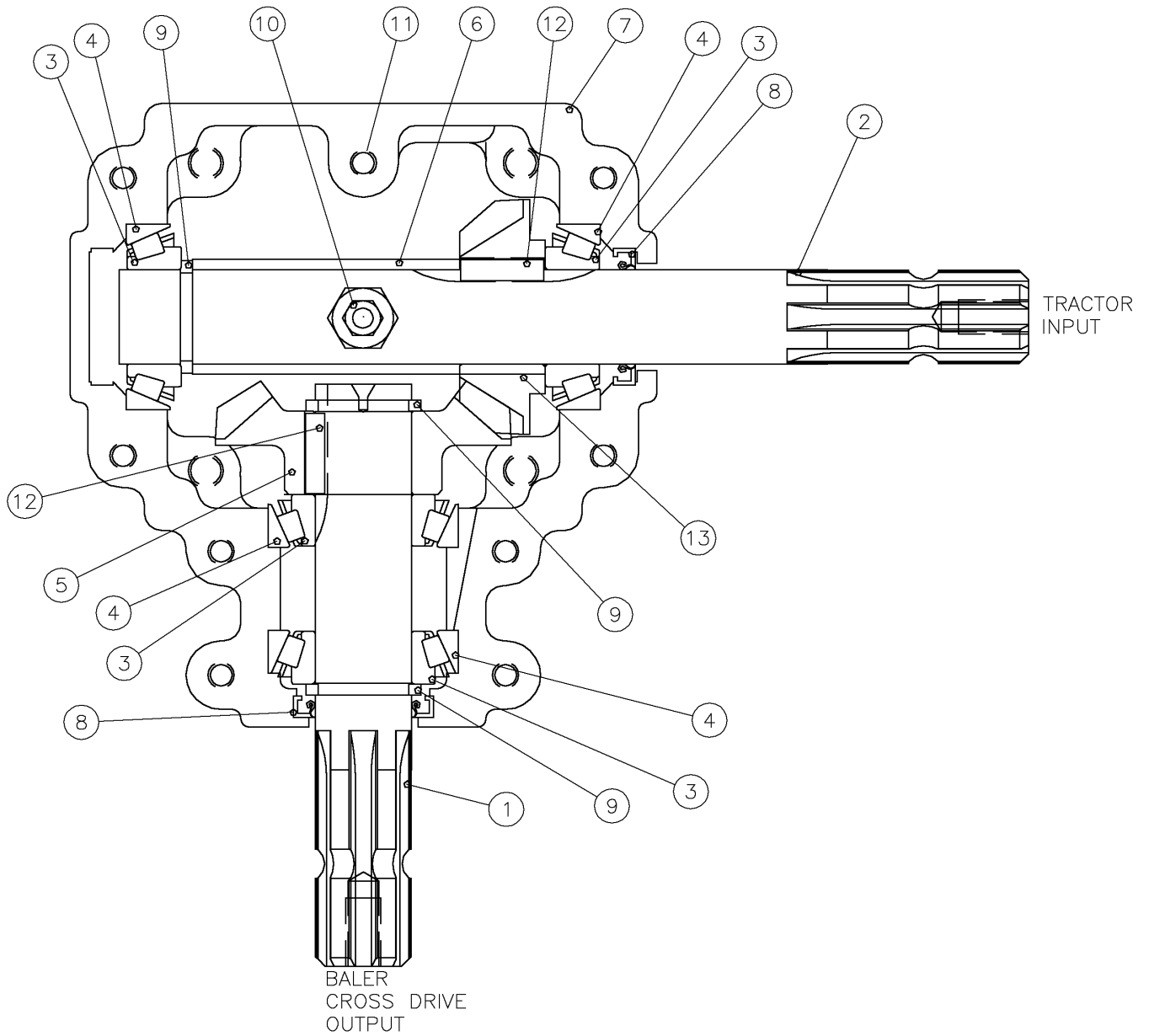
## GEARBOX COMPONENTS

Figure 1-26

REF. NO.	PART NO.	DESCRIPTION	QTY.		SERIAL NO.		REMARKS
			5400	5500	5400	5500	
1-25	1	507948-003	HOUSING, LR400 SERIES	1	-		
1-25	2	507948-005	CAP, CANTILEVERED	1	-		
1-25	3	507948-007	CAP, BLANK	1	-		
1-25	4	507948-009	CAP, THRU	1	-		
1-25	5	507948-011	GEAR, 23T (1.35)	1	-		
1-25	6	507948-013	PINION, 17T (1.35)	1	-		
1-25	7	507948-015	SHAFT, INPUT 1 3/8"-6A SPLINE	1	-		REQUIRES #22 & #23
1-25	8	507948-017	SHAFT, OUTPUT 1 3/8"-6A SPLINE	1	-		
1-25	9	507948-019	BEARING, CUP 30207Y	4	-		
1-25	10	507948-021	BEARING, CONE 30207X	4	-		
1-25	11	507948-023	SEAL, OUTPUT (TRIPLE LIP)	1	-		
1-25	12	507948-025	SEAL, INPUT (TRIPLE LIP)	1	-		
1-25	13	507948-027	GASKET, 0.1MM	3-A/R	-		
1-25	14	507948-029	GASKET, 0.2MM	3-A/R	-		
1-25	15	507948-031	GASKET, 0.3MM	3-A/R	-		
1-25	16	507948-033	KEY, SQUARE 10MMX25MM	2	-		
1-25	17	507948-035	SPACER	2	-		
1-25	18	351-010	BOLT-5/16-18X1	24	-		
1-25	19	480-005	WASHER-5/16 S/T LOCK	24	-		
1-25	20	15-027	PLUG-1/2-14NPT SOCKET HEAD PIPE	2	-		
1-25	21	507948-037	RETAINING RING, 35MM EXTERNAL	3	-		
1-25	22	507948-039	WASHER-LOCK M30	1	-		
1-25	23	507948-041	BEARING LOCKNUT LR-400, M30 X 1.5	1	-		
1-25	24	15-031	FITTING-1/2"X1/8" HEX BUSHING	1	-		
1-25	25	15-033	FITTING-VENT PLUG	1	-		
		507948-001	GEARBOX COMPONENTS (INC. REF. 1-25)				

GEARBOX COMPONENTS

Figure 1-27





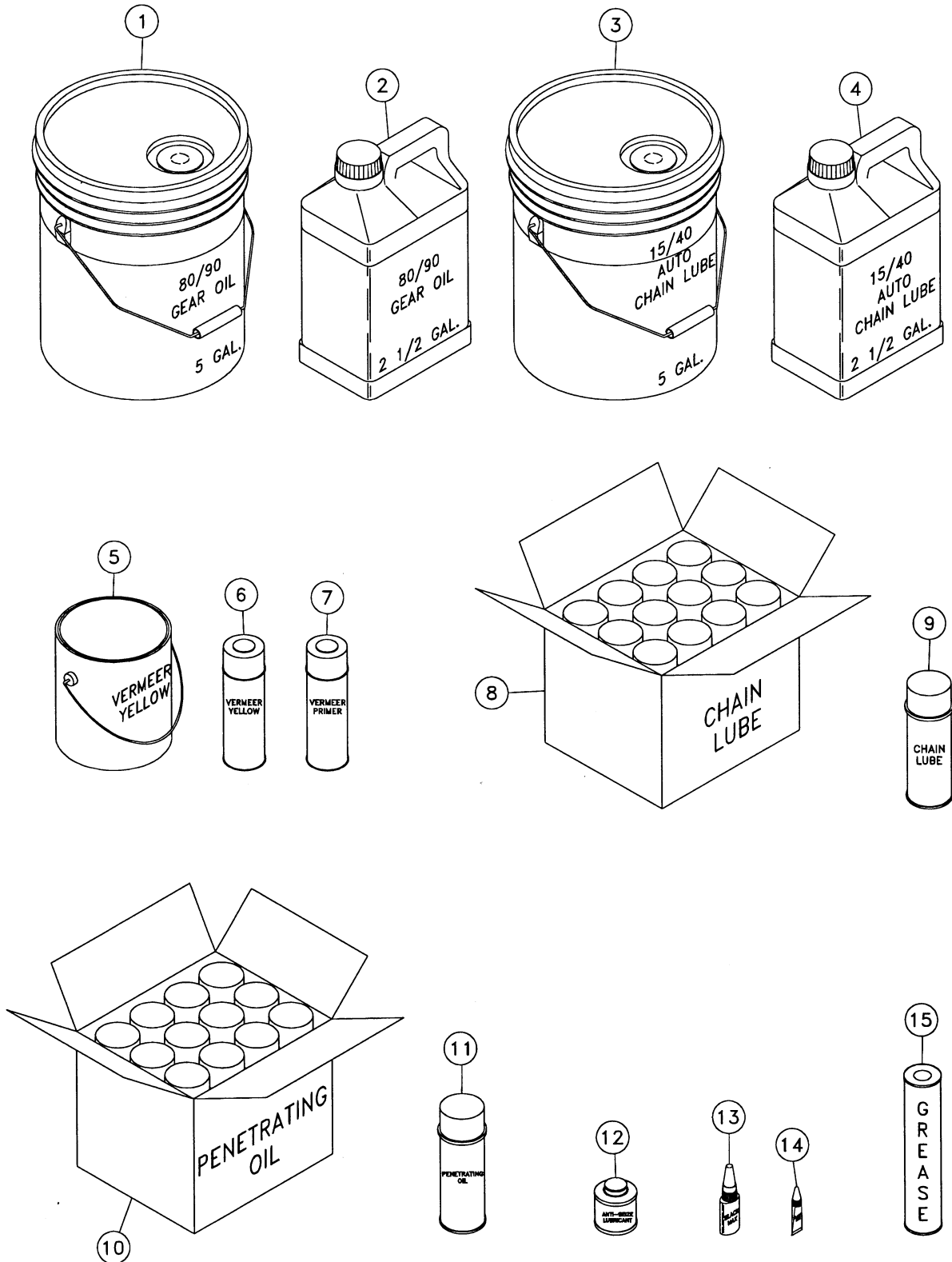
## GEARBOX COMPONENTS

Figure 1-27

<u>REF. NO.</u>	<u>PART NO.</u>	<u>DESCRIPTION</u>	<u>QTY.</u>		<u>SERIAL NO.</u>		<u>REMARKS</u>
			<u>5400</u>	<u>5500</u>	<u>5400</u>	<u>5500</u>	
1-27	1	107071-007	SHAFT-PINION	-	1		
1-27	2	107071-003	SHAFT-CROSS	-	1		
1-27	3	15-015	BEARING CONE	-	4		
1-27	4	15405-029	BEARING CUP	-	4		
1-27	5	15-013	GEAR-23 TOOTH	-	1		
1-27	6	107071-005	SLEEVE	-	1		
1-27	7	510501-114	GEARBOX CASTING (BOTH HALVES)	-	1		
1-27	8	15-019	SEAL	-	2		
1-27	9	15-021	RING-RETAINING	-	3		
1-27	10	15-027	PLUG	-	2		
		15-031	FITTING-1/2X1/8 HEX BSHG	-	1		
		15-033	FITTING-VENT PLUG	-	1		
1-27	11	15-025	BOLT-2 1/4	-	9		
1-27	12	15-023	KEY-5/16" SQ.	-	2		
1-27	13	15-011	GEAR-17 TOOTH	-	1		
	69665-001	GEARBOX COMPONENTS (INC. REF. 1-13)					

VERMEER LUBES ETC.

Figure 1-28



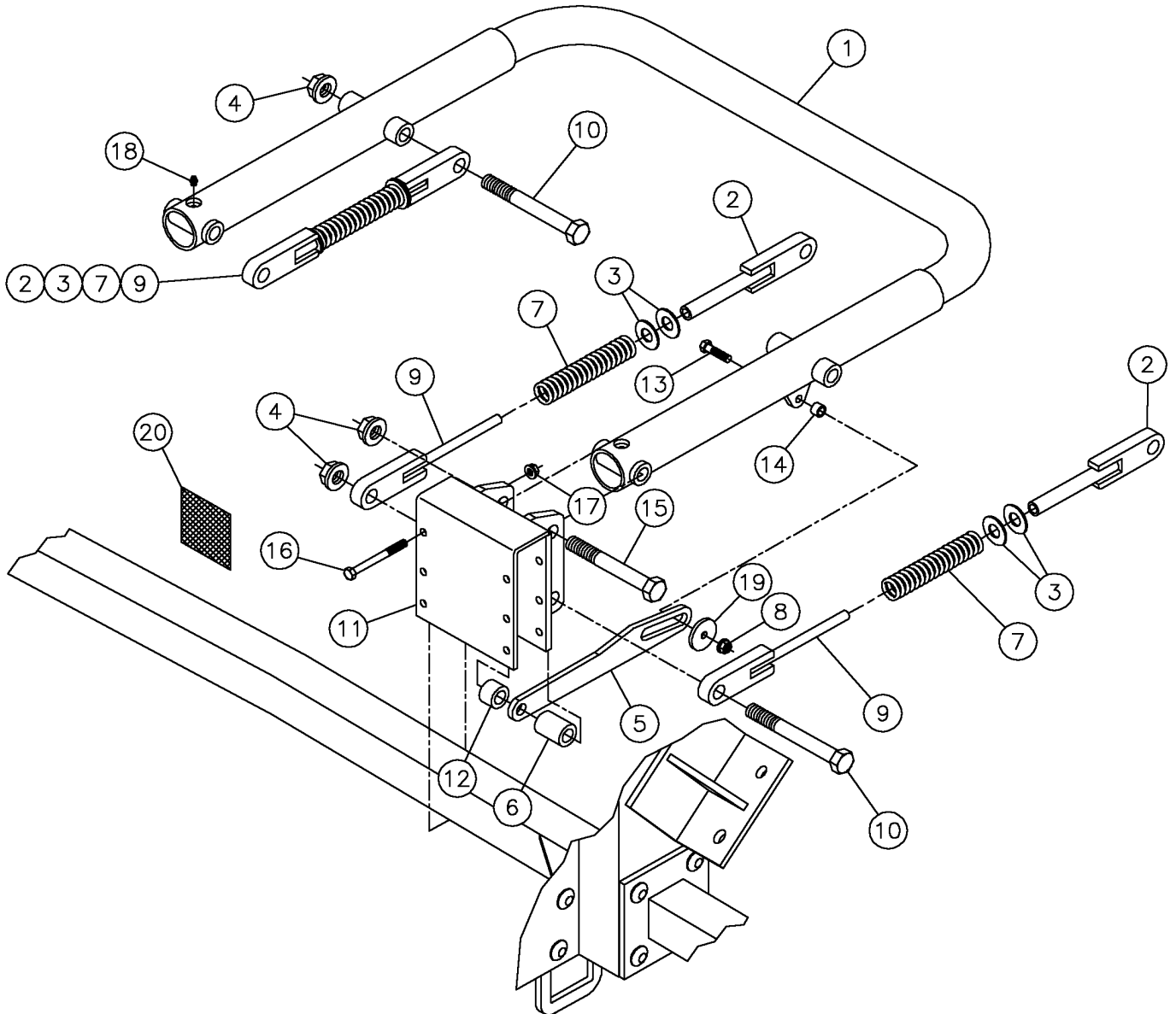
## VERMEER LUBES ETC.

Figure 1-28

REF. NO.	PART NO.	DESCRIPTION	QTY.		SERIAL NO.		REMARKS
			5400	5500	5400	5500	
1-28	1	99663-003	80W90 TRANS OIL 5 GALLON	1	1		
1-28	2	99663-001	80W90 TRANS OIL 2 1/2 GALLON	1	1		
1-28	3	99661-003	15W40 MOTOR OIL 5 GALLON	1	1		
1-28	4	99661-001	15W40 MOTOR OIL 2 1/2 GALLON	1	1		
1-28	5	2965-059	PAINT-VERMEER YELLOW 1 GAL.	1	1		
1-28	6	2965-075	PAINT-VERMEER YELLOW SPRAY	1	1		
1-28	7	2965-073	PRIMER-GRAY 16 OZ ENAMEL SPRAY	1	1		
1-28	8	117442-003	CHAIN LUBE-CASE (12 CANS)	1	1		
1-28	9	117442-001	CHAIN LUBE 14 OZ CAN	1	1		
1-28	10	117441-003	PENETRATING OIL-CASE (12 CANS)	1	1		
1-28	11	117441-001	PENETRATING OIL-14 OZ CAN	1	1		
1-28	12	23355-583	80209 ANTI SIEZE BRUSH TOP CAN	1	1		
1-28	13	29970-583	LOCTITE BLACK MAX 38050	1	1		
1-28	14	29971-583	LOCTITE BLACK MAX 1 OZ 38004	1	1		
1-28	15	101562-001	ULTRA LF GREASE-TUBE	1	1		

BALE RAMP ASSEMBLY

Figure 2-1



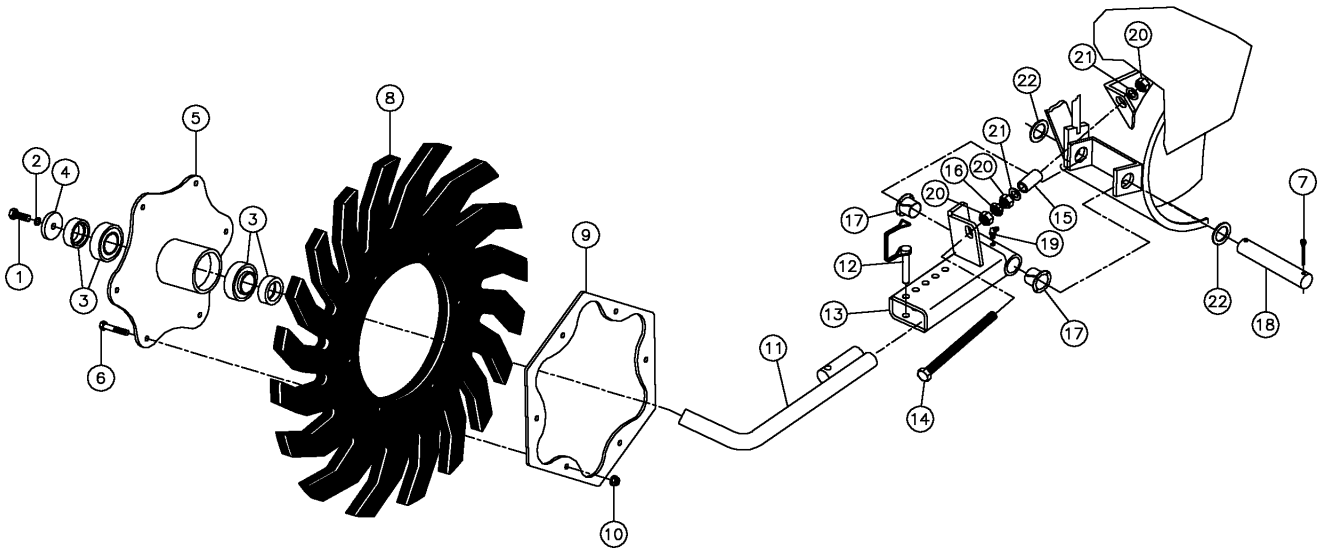
## BALE RAMP ASSEMBLY

Figure 2-1

REF. NO.	PART NO.	DESCRIPTION	QTY.		SERIAL NO.		REMARKS
			5400	5500	5400	5500	
2-1	1	502106-001	BALE RAMP	1	1		
2-1	2	121152-001	TUBE	4	4		
2-1	3	510337-617	WASHER-FLATSTD-.75-.81X2.00-.15-YZ	8	8		
2-1	4	502118-001	NUT-3/4-10 CL	6	6		
2-1	5	510500-073	BAR-RETAINER	1	1		
2-1	6	501130-001	TUBE-1 1/4 OD X 1/4 W - 1.73	1	1		
2-1	7	1803-039	SPRING-COMP.5/16X7/8ID X6"	4	4		
2-1	8	510352-501	NUT-SMFLGTL-.50-13-G-YZ	1	1		
2-1	9	121149-001	PIN	4	4		
2-1	10	510307-064	SCREW-HCS-.75-10X6.50-GR5-YZ	4	4		
2-1	11	510500-077	BASE-BALE RAMP	2	2		
2-1	12	501129-001	TUBE-1 1/4 OD X 1/4 W - .86	1	1		
2-1	13	510304-012	SCREW-HCS-.50-13X1.25-GR5-YZ	1	1		
2-1	14	1070-079	RND TUBE 7/8ODX11GA.-.44	1	1		
2-1	15	510307-060	SCREW-HCS-.75-10X6.00-GR5-YZ	2	2		
2-1	16	510302-036	SCREW-HCS-.38-16X3.75-G5-YZ	8	8		
2-1	17	510352-503	NUT-SMFLGTL-.38-16-G-YZ	8	8		
2-1	18	598-001	ZERK-1/4" NF ST GREASE	2	2		
2-1	19	510337-611	WASHER-FLAT STD-.50-.56X1.40-.11-YZ	1	1		
2-1	20	7000B-655	DECAL-BALE RAMP POSITION	1	1		

HAYSAVER WHEEL ASSEMBLY

Figure 3-1



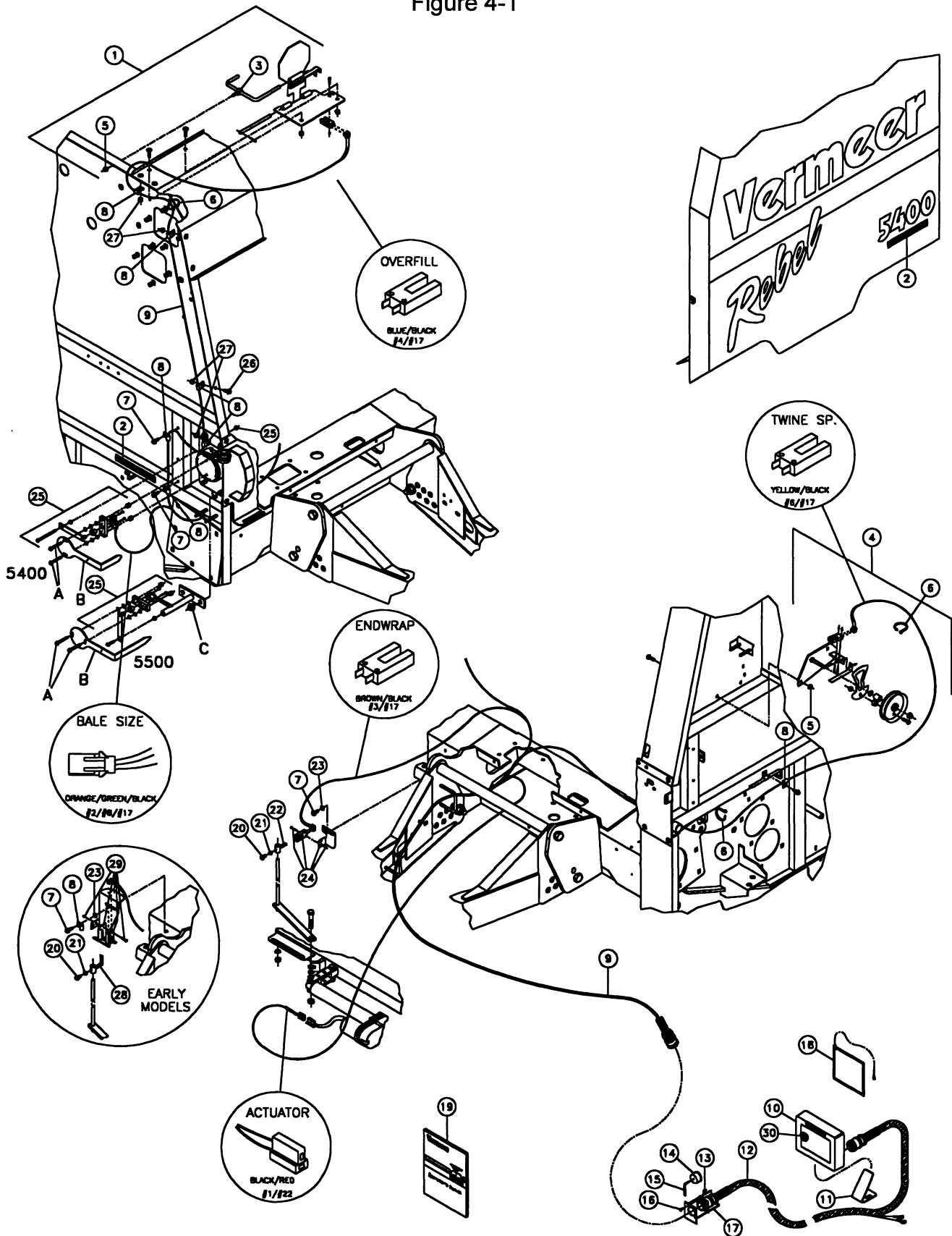
## HAYSAVER WHEEL ASSEMBLY

Figure 3-1

REF. NO.	PART NO.	DESCRIPTION	QTY.		SERIAL NO.		REMARKS
			5400	5500	5400	5500	
3-1	1	510302-010	SCREW-HCS-.38-16X1.00-GR5-YZ	2	2		
3-1	2	510335-707	WASHER-LOCK-.38-.39X.68-.09-YZ	2	2		
3-1	3	4051-001	BRG-1 1/4 CYL-RA103RR2 W/COL	4	4		
3-1	4	11104-001	CAP-AXLE	2	2		
3-1	5	69083-003	HUB ASSY-HAY SAVER WHEEL (INC. TWO OF REF. 3)	2	2		
3-1	6	510301-016	SCREW-HCS-.31-18X1.75-GR5-YZ	12	12		
3-1	7	510338-819	COTTER PIN-5/32" X 2"-YZ	4	4		
3-1	8	66274-001	WHEEL-VERMEER HAY SAVER	2	2		
3-1	9	69470-001	RING-HAYSAVER WHEEL MOUNTING	2	2		
3-1	10	510352-507	NUT-SMFLGTL-.31-18-G-YZ	12	12		
3-1	11	510500-305	HAYSAVER WHEEL MNT, LH (SHOWN)	1	1		
		510500-306	HAYSAVER WHEEL MNT, RH (NOT SHOWN)	1	1		
3-1	12	2109-003	PIN LOCKING - 3/8 X 2 1/4	2	2		
3-1	13	510500-307	MOUNT-HAYSAVER WHL, LH (SHOWN)	1	1		
		510500-308	MOUNT-HAYSAVER WHL, RH (NOT SHOWN)	1	1		
3-1	14	510305-070	SCREW-HCS-.50-13X7.00-GR5-YZ-SP	2	2		
3-1	15	1071-023	TUBE-3/4"ODX12 GA.-1 1/2"	2	2		
3-1	16	510317-311	NUT-HEXJAM-.50-13-GR2-YZ	2	2		
3-1	17	209-003	NYLINER 16 L 16 F	4	4		
3-1	18	87013-001	PIN-LIFT	2	2		
3-1	19	596-001	ZERK-1/4" NF 45 DEG. GREASE	2	2		
3-1	20	510317-301	NUT-HEX-.50-13-GR2-YZ	6	6		
3-1	21	127362-001	WASHER-1/2 FLT HARDENED	4	4		
3-1	22	510336-665	WASHER-MCHBSHG-1.00-1.03X1.50-14G-YZ	4	4		

ACCU-TIE ASSEMBLY (5400/SER. NO. 101-1778) (5500/SER. NO. 101-563)

Figure 4-1





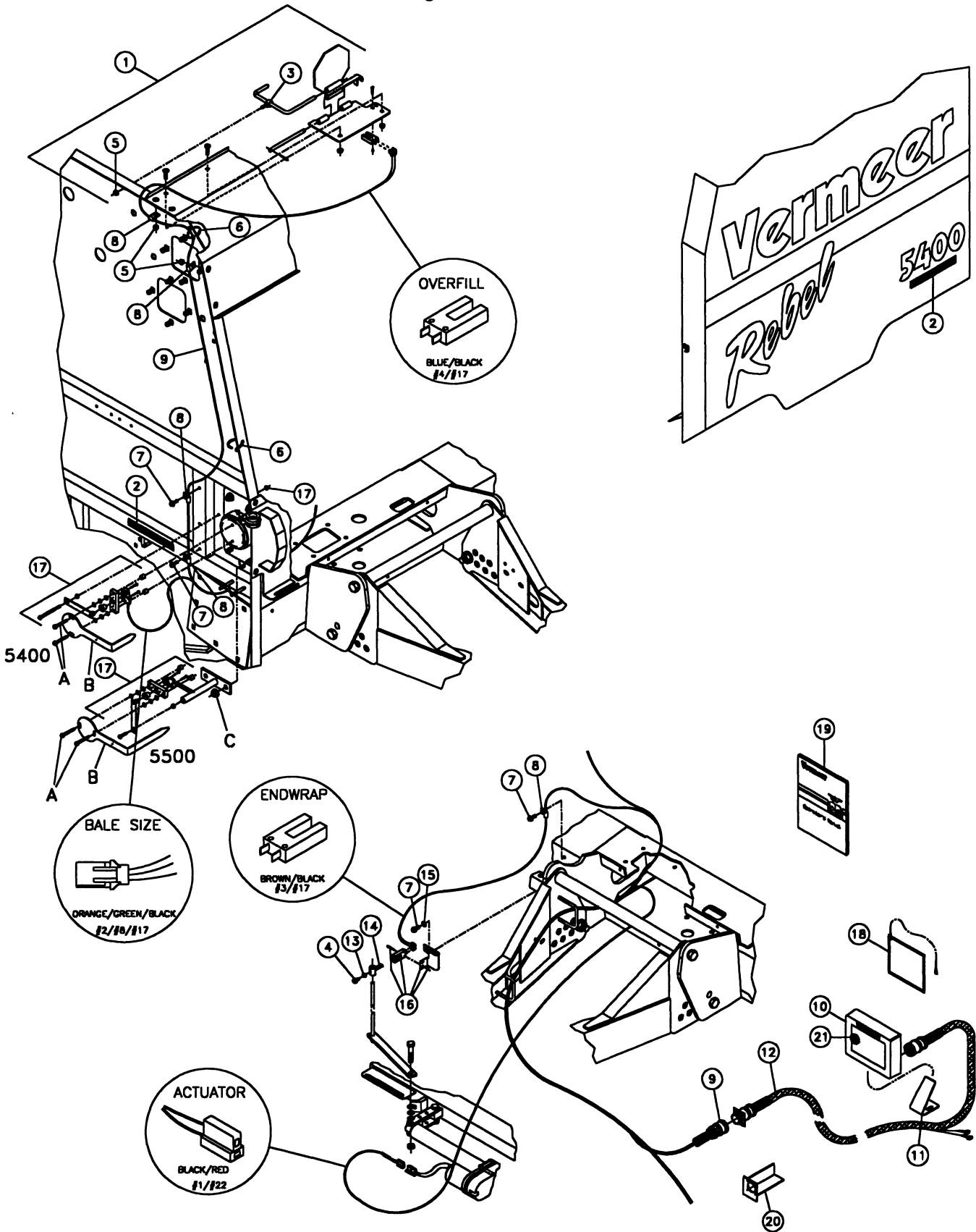
## ACCU-TIE ASSEMBLY (5400/SER. NO. 101-1778) (5500/SER. NO. 101-563)

Figure 4-1

REF. NO.	PART NO.	DESCRIPTION	QTY.	SERIAL NO.	REMARKS
4-1	1	507991-001	OVERFILL INDICATOR ASSEMBLY (BREAKDOWN FIG. 4-3)	1	
4-1	2	7000B-048	DECAL - MODEL W/ ACCU-TIE	2	
4-1	3	502135-001	GUIDE - ROD	1	
4-1	4	507943-001	TWINE SPEED SENSOR ASSEMBLY (BREAKDOWN FIG. 4-2)	1	
4-1	5	1809-007	NUT - 5/16-18 SM.FLGE.T.L.	4	
4-1	6	59634-001	NYTIE - 8"	15	
4-1	7	353-006	BOLT-5/16-18X3/4 TPBPT FLG HEX	3	
4-1	8	2595-011	CLAMP-HOSE/CLIP TS7E 3/8"	7	
4-1	9	508080-001	HARNESS - 5400 ACCU-TIE	1	W/ROUND 3-PIN END
		509069-001	HARNESS - 5400 ACCU-TIE	1	W/WEATHERPACK END
4-1	10	501478-001	ACCU-TIE MONITOR	1	
4-1	11	502142-001	WEDGE MOUNT - MONITOR	1	
4-1	12	502149-001	HARNESS - ACCU-TIE TRACTOR	1	
4-1	13	69757-001	LOCKNUT-#6-32 NYLON INSERT PL	4	
4-1	14	79464-001	CAP-1 7/16" #EC-23	1	
4-1	15	69277-005	CHAIN-16GA.-9 1/2"(LOAD LIM. 10)	1	
4-1	16	69761-001	SCREW-#6-32X1/2 HEX HD MACH PL	4	
4-1	17	69794-001	MOUNT-PLUG	1	
4-1	18	507443-001	ACCU-TIE EASY REFERENCE ASSY	1	
4-1	19	105400-R04	ACCU-TIE BALE MONITOR OM	1	
4-1	20	351-004	BOLT-5/16"-18X1/2"GR. 5HEX	1	
4-1	21	407-001	NUT-5/16 NC HEX JAM	1	
4-1	22	510024-001	FLAG - INDICATOR END WRAP	1	
4-1	23	485-005	WASHER-5/16 FLAT	1	
4-1	24	510027-001	END WRAPS SWITCH ASSEMBLY (BREAKDOWN FIG. 4-5)	1	
4-1	25	507993-001	BALE SIZE SWITCH ASSEMBLY (BREAKDOWN FIG. 4-4)	1	
4-1	26	4474-006	BOLT-5/16-18X3/4 FLANGE WHIZ	1	
4-1	27	408-001	NUT-5/16 NC FLG WHIZ LOCK	4	
4-1	28	508081-001	FLAG - END WRAP	1	USED ON EARLY MODELS
4-1	29	507994-001	END WRAPS SWITCH ASSEMBLY (BREAKDOWN FIG. 4-5)	1	USED ON EARLY MODELS
4-1	30	99552-003	AUDIO ALARM	1	

ACCU-TIE ASSEMBLY (5400/SER. NO. 1779 & UP) (5500/SER. NO. 564 & UP)

Figure 4-1A



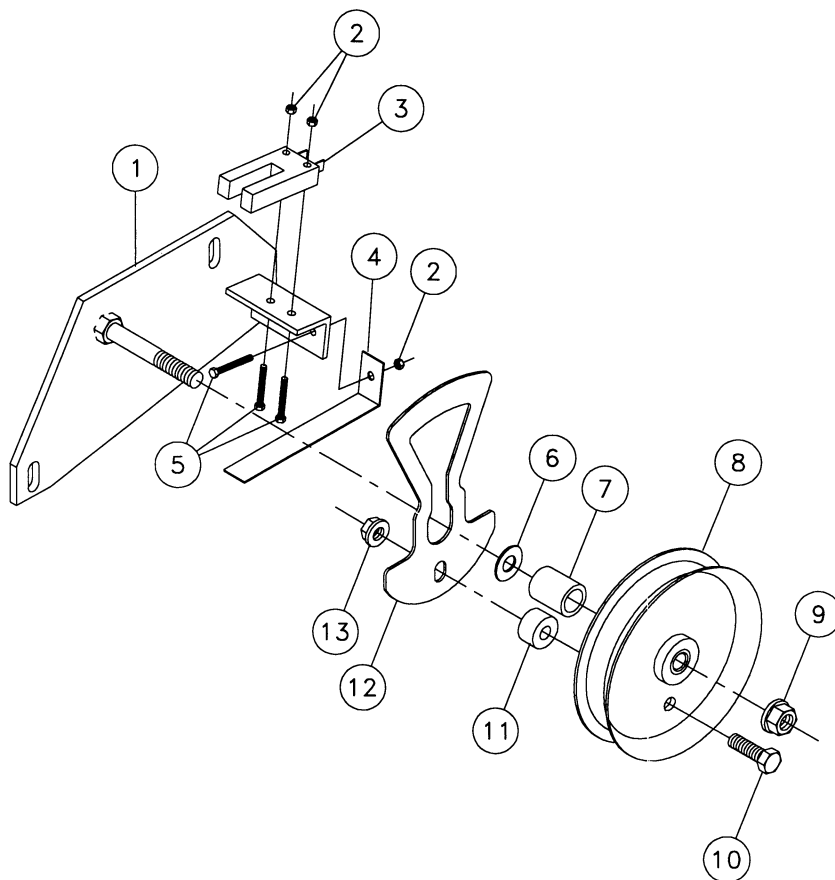
## ACCU-TIE ASSEMBLY (5400/SER. NO. 1779 &amp; UP) (5500/SER. NO. 564 &amp; UP)

Figure 4-1A

<u>REF. NO.</u>	<u>PART NO.</u>	<u>DESCRIPTION</u>	<u>QTY.</u>	<u>SERIAL NO.</u>	<u>REMARKS</u>
4-1A 1	507991-001	OVERFILL INDICATOR ASSEMBLY (BREAKDOWN FIG. 4-3)	1		
4-1A 2	7000B-048	DECAL - MODEL W/ ACCU-TIE	2		
4-1A 3	502135-001	GUIDE - ROD	1		
4-1A 4	510301-004	SCREW-HCS-.31-18X.50-GR5-YZ	1		
4-1A 5	510352-507	NUT-SMFLGTL-.31-18-G-YZ	4		
4-1A 6	59634-001	NYTIE - 8"	12		
4-1A 7	510377-006	SCREW-HCS-.31-18X.75-GR8-YZ-SP	4		
4-1A 8	2595-011	CLAMP-HOSE/CLIP TS7E 3/8"	7		
4-1A 9	510500-296	HARNES-REBEL ACCU-TIE	1		
4-1A 10	509822-001	ACCU-TIE MONITOR	1		
4-1A 11	502142-001	WEDGE MOUNT - MONITOR	1		
4-1A 12	510500-257	HARNES - ACCU-TIE TRACTOR	1		
4-1A 13	510314-391	NUT-HEXJAM-.31-18-GR2-YZ	1		
4-1A 14	510024-001	FLAG-INDICATOR END WRAP	1		
4-1A 15	510337-605	WASHER-FLATSTD-.31-.38X.88-.08-YZ	1		
4-1A 16	510027-001	END WRAPS SWITCH ASSEMBLY (BREAKDOWN FIG. 4-5)	1		
4-1A 17	507993-001	BALE SIZE SWITCH ASSEMBLY (BREAKDOWN FIG. 4-4)	1		
4-1A 18	507443-001	ACCU-TIE EASY REFERENCE ASSY	1		
4-1A 19	105400-R04	ACCU-TIE BALE MONITOR OM	1		
4-1A 20	69794-001	MOUNT-PLUG (OPTIONAL)	1		
4-1A 21	99552-003	AUDIO ALARM	1		

TWINE SPEED SENSOR ASSEMBLY

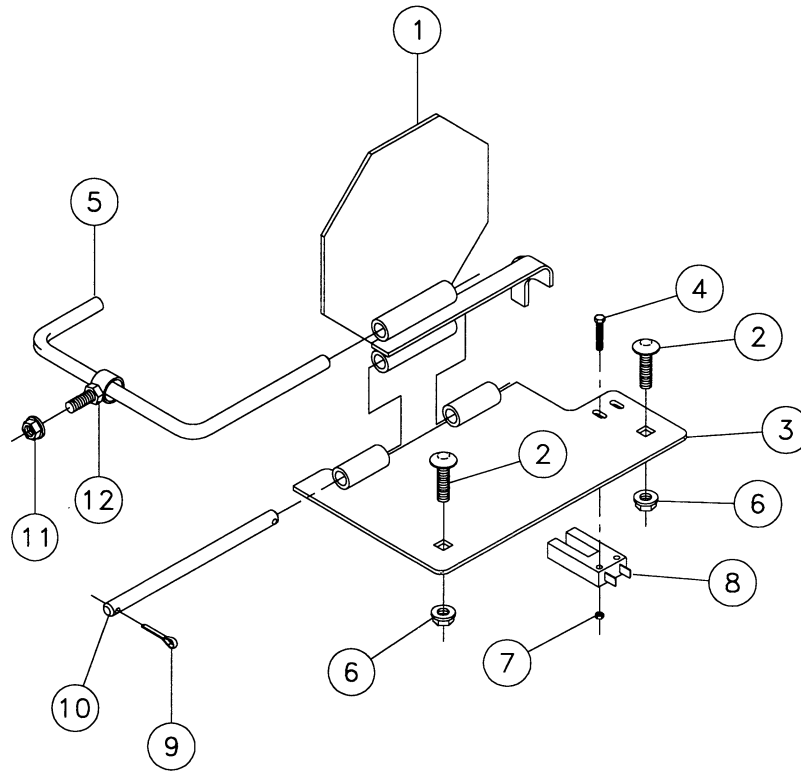
Figure 4-2



REF. NO.	PART NO.	DESCRIPTION	QTY	SERIAL NO.	REMARKS
4-2	1	507942-001	MOUNT-SENSOR, TWINE SPEED	1	
4-2	2	69759-001	LOCK NUT-#8-32 NYLON INSERT PL	3	
4-2	3	68766-001	SWITCH-MAGNETIC REED	1	
4-2	4	502127-001	RETAINER-TWINE	1	
4-2	5	94563-001	SCREW-#8-32X1 HEX HD. MACHINE PL	3	
4-2	6	485-007	WASHER-3/8 FLAT	1	
4-2	7	508058-001	TUBE-5/8" OD X 11GA. - .94	1	
4-2	8	502119-001	PULLEY-4" DIA .375 BORE	1	
4-2	9	4536-001	NUT-3/8-16 FLG WHIZ LOCK	1	
4-2	10	351-010	BOLT-5/16-18X1 GR. 5 HEX	1	
4-2	11	502143-001	TUBE-SPACER	1	
4-2	12	509096-001	FLAG SENSOR-WIDE	1	
4-2	13	408-001	NUT-5/16-18 FLG WHIZ LOCK	1	
	507943-001	TWINE SPEED SENSOR ASSEMBLY (INCLUDES REF. 1-13)			

OVERFILL INDICATOR ASSEMBLY

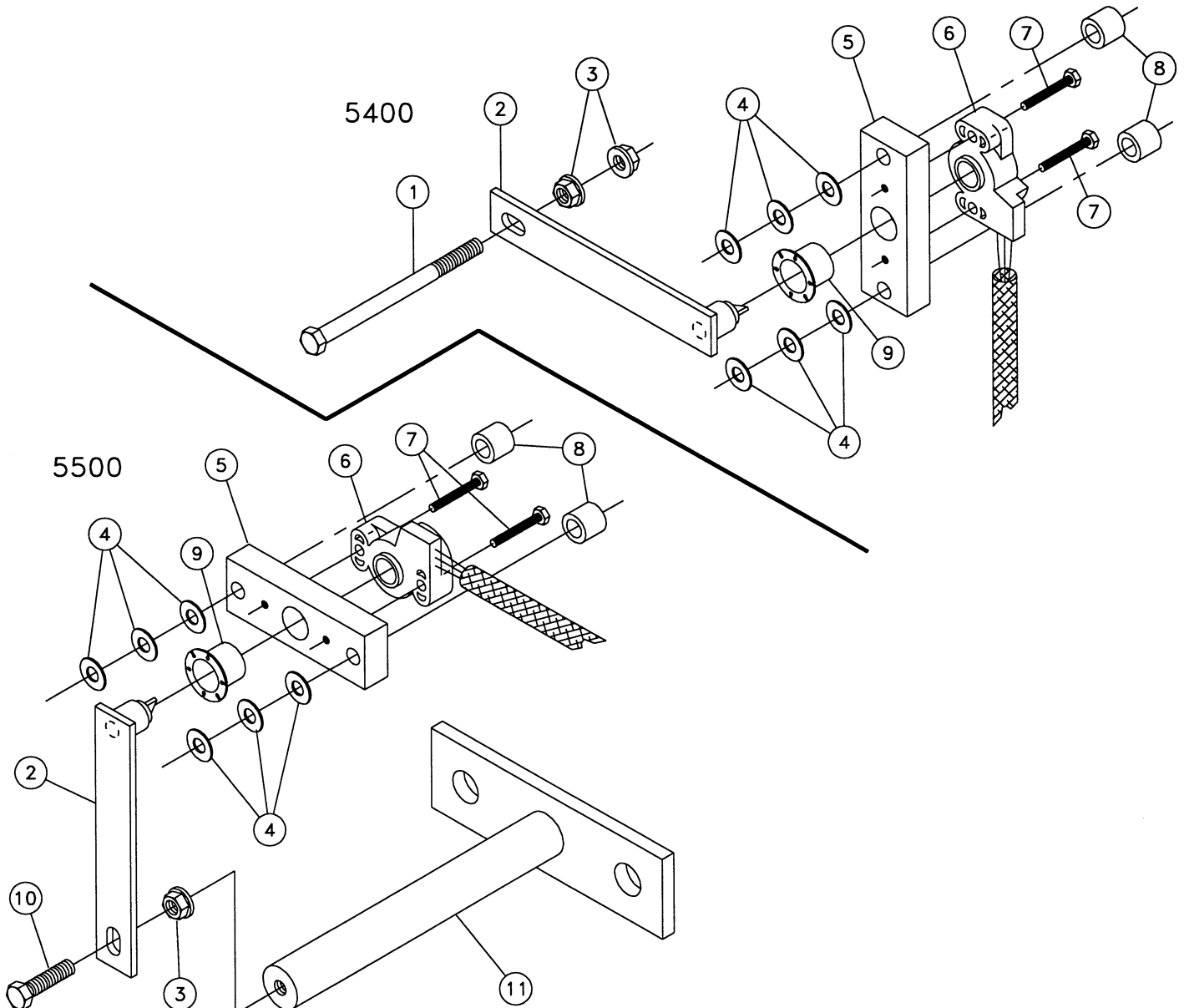
Figure 4-3



REF. NO.	PART NO.	DESCRIPTION	QTY	SERIAL NO.	REMARKS
4-3	1	501139-001	1		PLATE-INDICATOR
4-3	2	374-006	2		BOLT-5/16"-18X3/4GD#5CARRIAGE
4-3	3	508009-001	1		MOUNT - OVERFILL FLAG
4-3	4	94563-001	2		SCREW-8-32X1 HEX HD.MACHINE PL
4-3	5	508010-001	1		ROD - OVERFILL INDICATOR
4-3	6	408-001	2		NUT-5/16 NC FLG WHIZ LOCK
4-3	7	69759-001	2		LOCK NUT-#8-32 NYLON INSERT PL
4-3	8	68766-001	1		SWITCH - MAGNETIC REED
4-3	9	510-007	2		COTTER PIN-7/64" X 3/4"
4-3	10	501136-001	1		PIN-INDICATOR
4-3	11	1809-007	1		NUT - 5/16-18 SM.FLGE.T.L.
4-3	12	502135-001	1		GUIDE - ROD
	507991-001	OVERFILL INDICATOR ASSEMBLY (INCLUDES REF. 1-12)			

**BALE SIZE SWITCH ASSEMBLY**

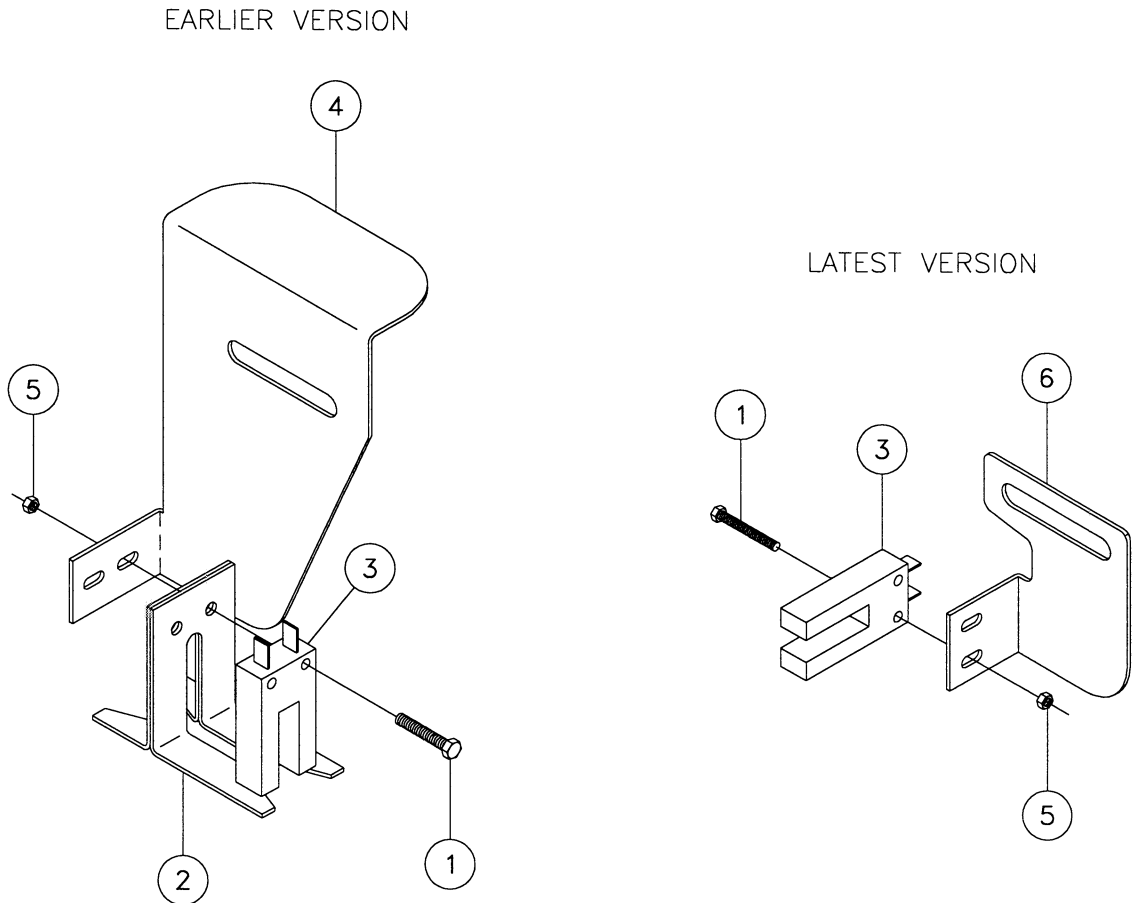
Figure 4-4



REF. NO.	PART NO.	DESCRIPTION	QTY	SERIAL NO.	REMARKS
4-4	1	350-040 BOLT-1/4-20X4" GR. 5 HEX	1		
4-4	2	502140-001 ARM-ACTUATOR	1		
4-4	3	405-001 NUT-1/4 NC FLG WHIZ LOCK	2		
4-4	4	485-003 WASHER-1/4 FLAT	6		
4-4	5	502137-001 PLATE-MOUNT	1		
4-4	6	502122-001 POTENTIOMETER-ROTARY	1		W/ROUND 3-PIN END
	509066-001	POTENTIOMETER-ROTARY	1		W/WEATHERPACK END
4-4	7	94563-001 SCREW-8-32X1 HEX HD.MACHINE PL	2		
4-4	8	508061-001 TUBE - 1/2" OD X 16 GA. - .63	2		
4-4	9	209-015 NYLINER-8L5 1/2F	1		
4-4	10	350-010 BOLT-1/4-20X1" GR. 5 HEX	1		
4-4	11	508175-001 BRACKET-SWITCH ARM	1		
	507993-001	BALE SIZE SWITCH ASSEMBLY (INCLUDES REF. 1-11)			

END WRAP SWITCH ASSEMBLY

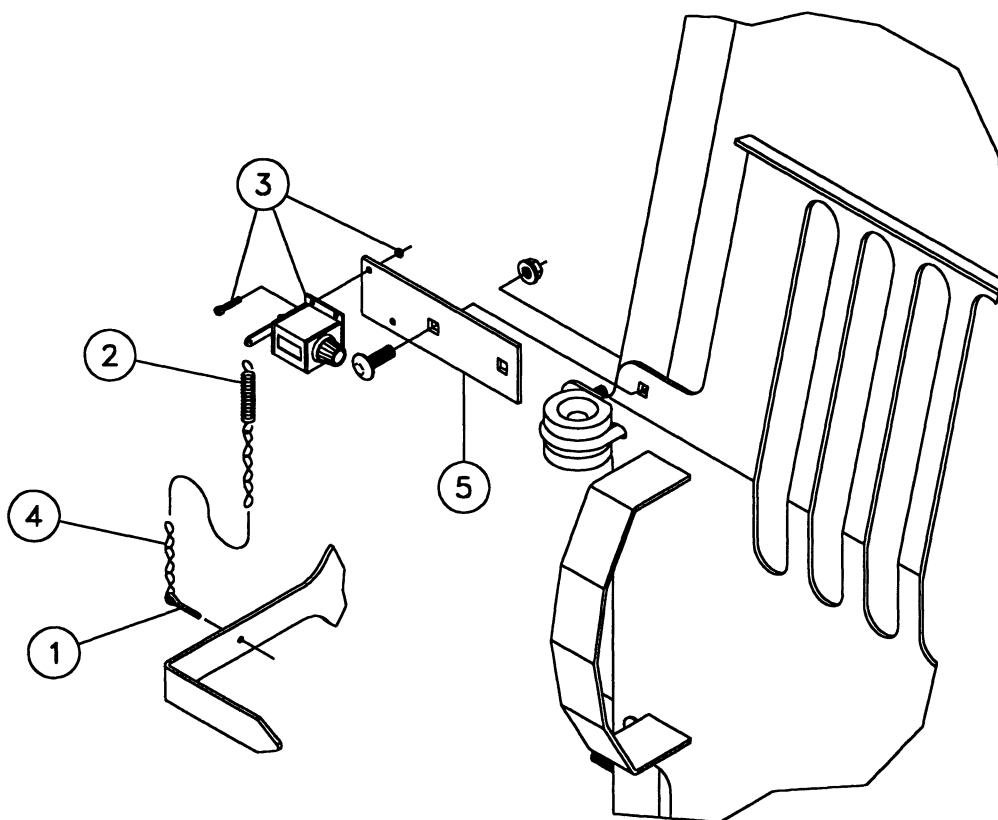
Figure 4-5



REF. NO.	PART NO.	DESCRIPTION	QTY	SERIAL NO.	REMARKS.
4-5	1	SCREW-8-32X1 HEX HD.MACHINE PL	2		
4-5	2	SWITCH GUARD	1		
4-5	3	SWITCH - MAGNETIC REED	1		
4-5	4	MOUNT - SWITCH END WRAPS	1		
4-5	5	LOCK NUT-#8-32 NYLON INSERT PL	2		
4-5	6	MOUNT - SWITCH END WRAPS	1		
	507994-001	END WRAPS SWITCH ASSEMBLY (EARLIER VERSION) (INCLUDES REF. 1-5)			
	510027-001	END WRAPS SWITCH ASSEMBLY (LATEST VERSION) (INCLUDES REF. 1, 3, 5 & 6)			

BALE COUNTER ASSEMBLY

Figure 5-1

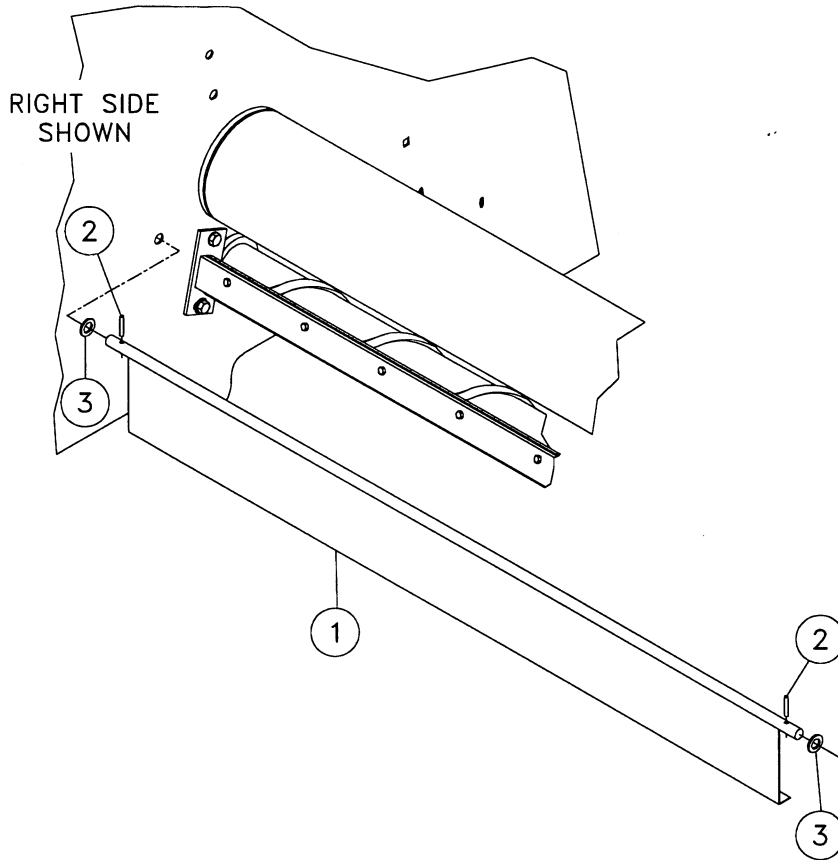


REF. NO.	PART NO.	DESCRIPTION	QTY		SERIAL NO.		REMARKS.
			5400	5500	5400	5500	
5-1	1	510338-807	COTTER PIN-7/64" X 3/4"-YZ	1	1		
5-1	2	1789-059	SPRING-EXT. 5/16 ODX1 7/8 GA. 24	1	1		
5-1	3	1816-001	RESET COUNTER	1	1		
5-1	4	69277-007	CHAIN-16 GA. (LOAD LIMIT 10#) 4.0	1	1		
5-1	5	508077-001	PLATE-COUNTER MOUNT	1	1		



HAY DEFLECTOR ASSEMBLY

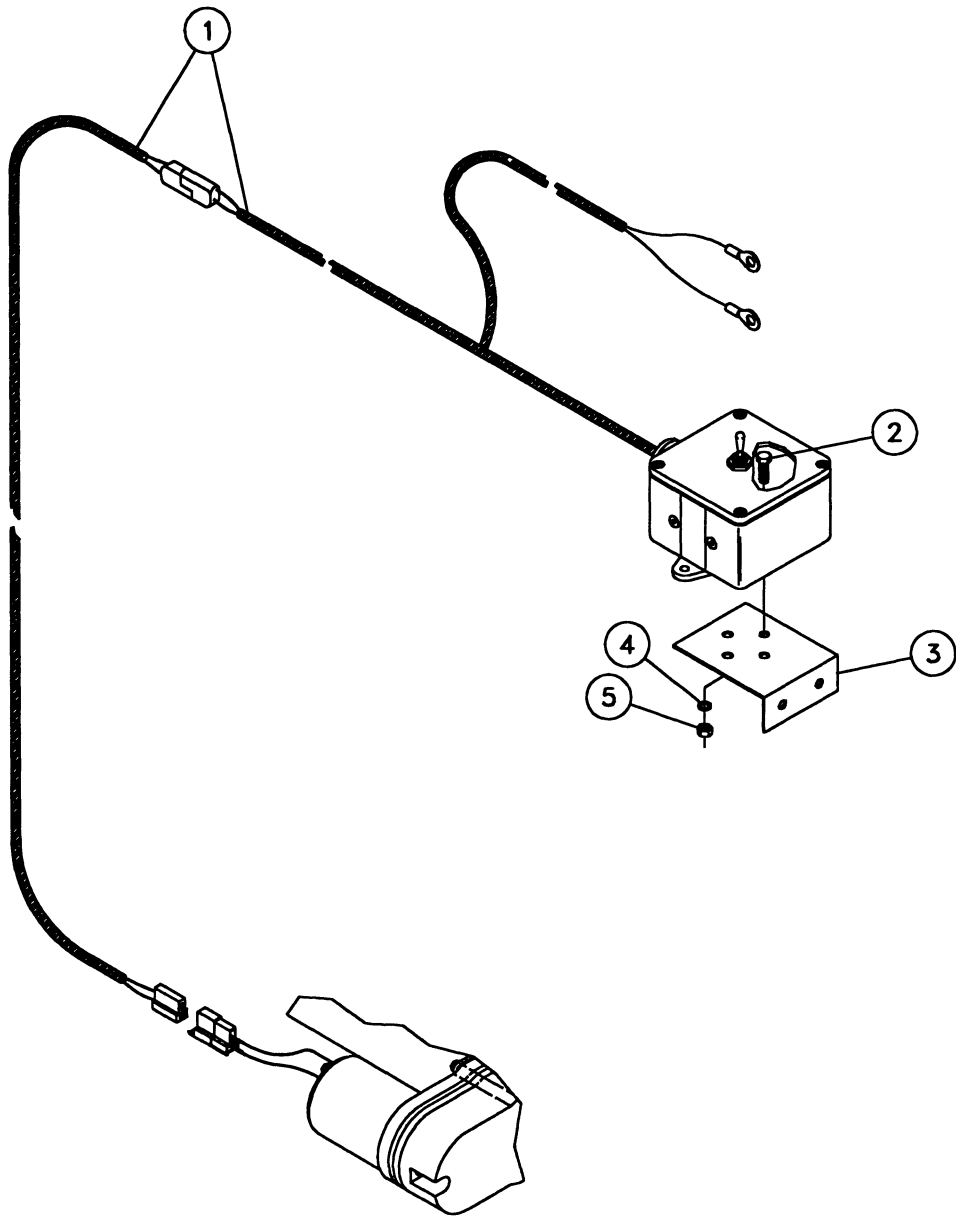
Figure 6-1



REF. NO.	PART NO.	DESCRIPTION	QTY		SERIAL NO.		REMARKS
			5400	5500	5400	5500	
6-1	1	114877-001 94964-001	1	-			
		DEFLECTOR-HAY DEFLECTOR-HAY					
6-1	2	1788-047	2	2			
		ROLL PIN-1/4X1 1/4 ZINC PLATED					
6-1	3	483-071	2	2			
		WASHER-1 1/4X3/4X14 GA. MB ZINC PLATE					

MANUAL ELECTRIC TWINE TIE ASSEMBLY

Figure 7-1



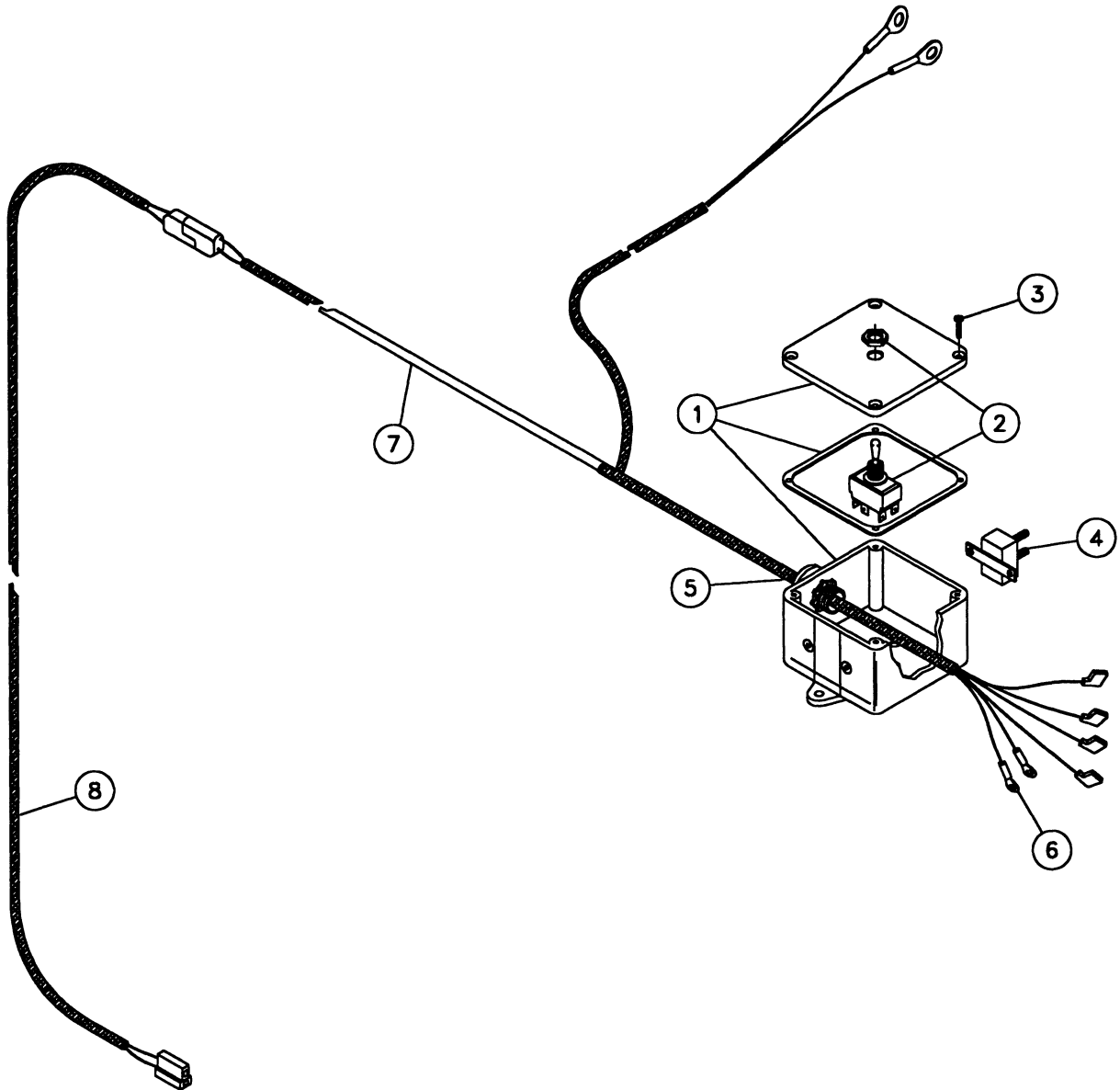
## MANUAL ELECTRIC TWINE TIE ASSEMBLY

Figure 7-1

<u>REF. NO.</u>	<u>PART NO.</u>	<u>DESCRIPTION</u>	<u>QTY.</u>	<u>SERIAL NO.</u>	<u>REMARKS</u>
7-1	1	75976-001	HARNESSTWINE TIE WIRING (BREAKDOWN FIG. 7-2)	1	
7-1	2	510300-006	SCREW-HCS-.25-20X.75-GR5-YZ	4	
7-1	3	76174-001	BRACKET-SWITCH BOX MOUNT	1	
7-1	4	510335-703	WASHER-LOCK-.25-.26X.49-.06-YZ	4	
7-1	5	510313-301	NUT-HEX-.25-20-GR2-YZ	4	

TWINE TIE WIRING HARNESS COMPONENTS

Figure 7-2



## TWINE TIE WIRING HARNESS COMPONENTS

Figure 7-2

<u>REF. NO.</u>	<u>PART NO.</u>	<u>DESCRIPTION</u>	<u>QTY.</u>		<u>SERIAL NO.</u>		<u>REMARKS</u>
			<u>5400</u>	<u>5500</u>	<u>5400</u>	<u>5500</u>	
7-2	1	75976-009	BOX-SWITCH	1	1		
7-2	2	11186-001	SWITCH	1	1		
7-2	3	28937-001	SCREW-#6X1/4"	4	4		
7-2	4	64075-001	BREAKER-RAMCO 121A30A3M01	1	1		
7-2	5	20922-001	CONNECTOR-A1 APPLETON	1	1		
7-2	6	75976-007	POWER LEAD	1	1		
7-2	7	75976-005	HARNESS-TRACTOR	1	1		
7-2	8	75976-003	HARNESS-BALER	1	1		
		75976-001	HARNESS-TWINE TIE WIRING (INC. REF. 1-8)				





